

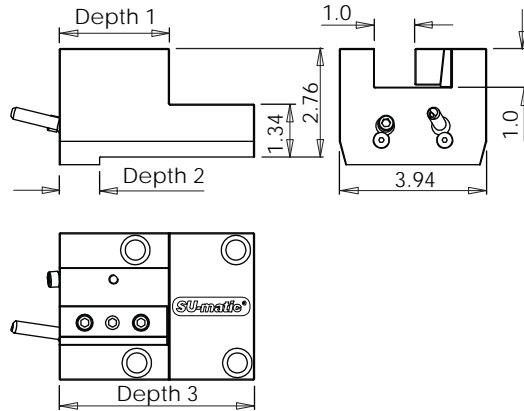
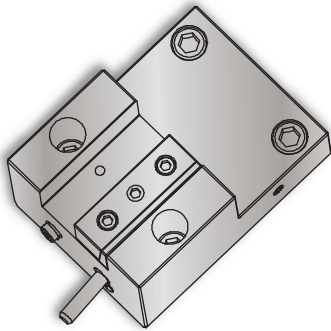
# VELOCITY TOOLING FOR OKUMA LU3000 M/MY

## Static Tools



### LU3000 M OD-II Face Turning Holder

### Notes



3D Models (.stp) and CAS (.stl) files are available for all **VELOCITY/SU-matic** tool holders. Please contact Velocity: [sales@velocityproducts.com](mailto:sales@velocityproducts.com).

Turret Plugs 14.430.0.0086.0

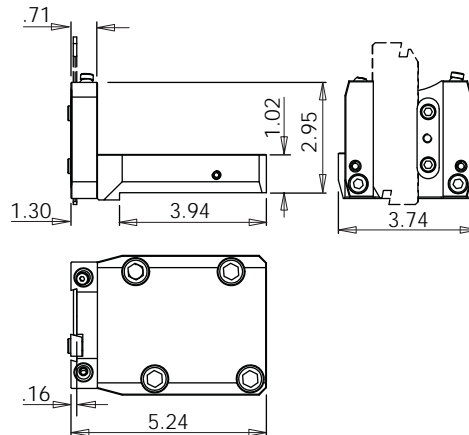
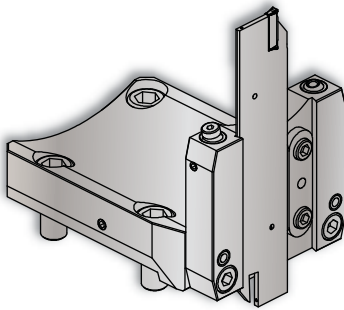
**VELOCITY/SU-matic** tooling for OKUMA is manufactured on OKUMA machine tools.

**VELOCITY** has the most complete inventory of tooling for OKUMA machine tools in North America.

Lathe Model	Tool #	Reversible (Main/Sub)	Stick Size	Depth 1	Depth 2	Depth 3
LU3000 M	14.910.0.0210.0	Yes	1.0"	2.80"	1.02"	4.96"

### LU3000 M Cut-Off Blade Holder • Basic

### Notes



3D Models (.stp) and CAS (.stl) files are available for all **VELOCITY/SU-matic** tool holders. Please contact Velocity: [sales@velocityproducts.com](mailto:sales@velocityproducts.com).

Turret Plugs 14.430.0.0086.0

**VELOCITY/SU-matic** tooling for OKUMA is manufactured on OKUMA machine tools.

**VELOCITY** has the most complete inventory of tooling for OKUMA machine tools in North America.

Lathe Model	Tool #	Reversible (Main/Sub)	Blade Size	Depth	Width	Height
LU3000 M	14.910.0.0169.1	Yes	32 mm	5.24"	3.74"	2.95"