

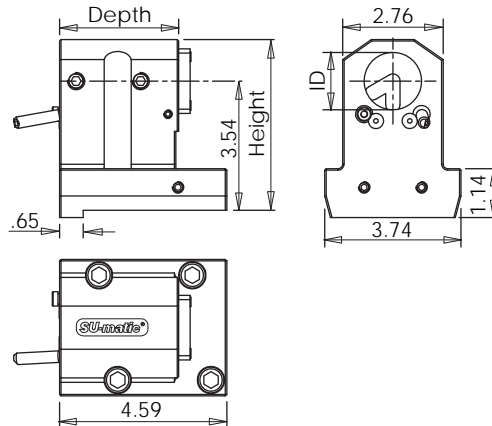
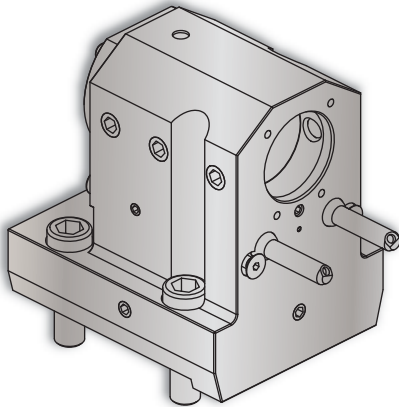
VELOCITY TOOLING FOR OKUMA LU3000 M/MY

Static Tools



LU3000 M Boring Bar Holder

Notes



VELOCITY/SU-matic ID holders can be used with both internal and external coolant.

Internal Coolant Plates are included with all *VELOCITY/SU-matic* multitasking turret ID holders.

Turret Plugs	14.430.0.0086.0
--------------	-----------------

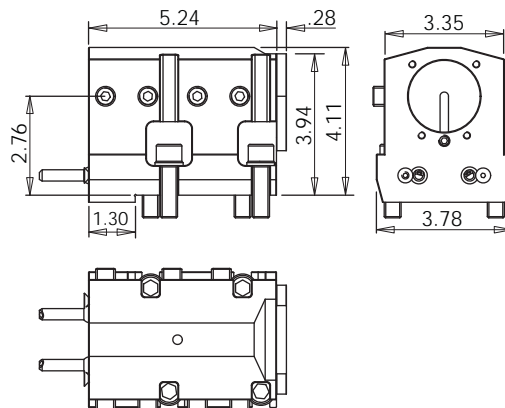
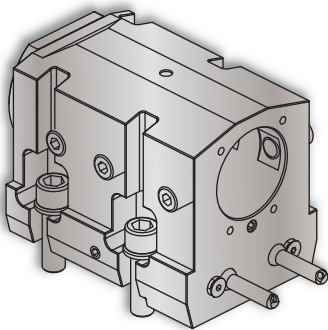
VELOCITY/SU-matic tooling for OKUMA is manufactured on OKUMA machine tools.

Coolant filtration is recommended when using ID holders with internal coolant plates.

Lathe Model	Tool #	Reversible (Main/Sub)	Coolant	ID	Height	Depth (Top)
LU3000 M	14.910.0.0208.0	Yes	IC/EXT	1.5"	4.69"	3.27"

LU3000 M 2" Full Depth Boring Bar Holder

Notes



VELOCITY/SU-matic ID holders can be used with both internal and external coolant.

Internal Coolant Plates are included with all *VELOCITY/SU-matic* multitasking turret ID holders.

Turret Plugs	14.430.0.0086.0
--------------	-----------------

VELOCITY/SU-matic tooling for OKUMA is manufactured on OKUMA machine tools.

Coolant filtration is recommended when using ID holders with internal coolant plates.

Lathe Model	Tool #	Reversible (Main/Sub)	Coolant	ID	Height	Depth
LU3000 M	14.910.0.0247.2	-	IC/EXT	2"	4.11"	5.24"