

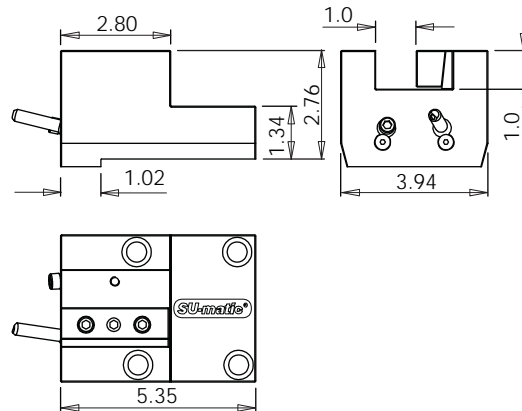
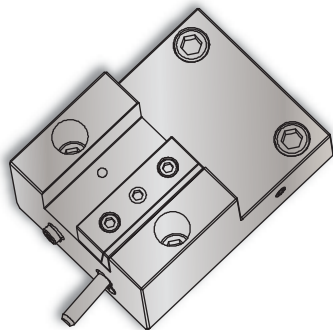
# VELOCITY TOOLING FOR OKUMA LU4000 M/MY

## Static Tools



### LU4000 M OD-II Face Turning Holder

### Notes



3D Models (.stp) and CAS (.stl) files are available for all **VELOCITY/SU-matic** tool holders. Please contact Velocity: [sales@velocityproducts.com](mailto:sales@velocityproducts.com).

Turret Plugs	14.430.0.0087.0
--------------	-----------------

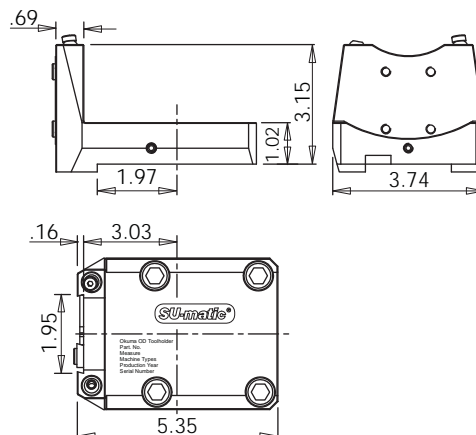
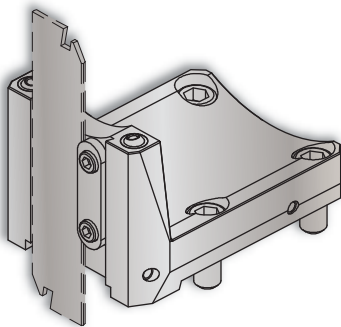
**VELOCITY/SU-matic** tooling for OKUMA is manufactured on OKUMA machine tools.

**VELOCITY** has the most complete inventory of tooling for OKUMA machine tools in North America.

Lathe Model	Tool #	Reversible (Main/Sub)	Stick Size	Depth (Top)	Depth (Overall)	Height
LU4000 M	14.910.0.0222.0	Yes	1"	2.80"	5.35"	2.76"

### LU4000 M Cut-Off Blade Holder

### Notes



3D Models (.stp) and CAS (.stl) files are available for all **VELOCITY/SU-matic** tool holders. Please contact Velocity: [sales@velocityproducts.com](mailto:sales@velocityproducts.com).

Turret Plugs	14.430.0.0087.0
--------------	-----------------

**VELOCITY/SU-matic** tooling for OKUMA is manufactured on OKUMA machine tools.

**VELOCITY** has the most complete inventory of tooling for OKUMA machine tools in North America.

Lathe Model	Tool #	Reversible (Main/Sub)	Blade Size	Depth	Width	Height
LU4000 M	14.910.0.0033.1	Yes	32 mm	5.35"	3.74"	3.15"