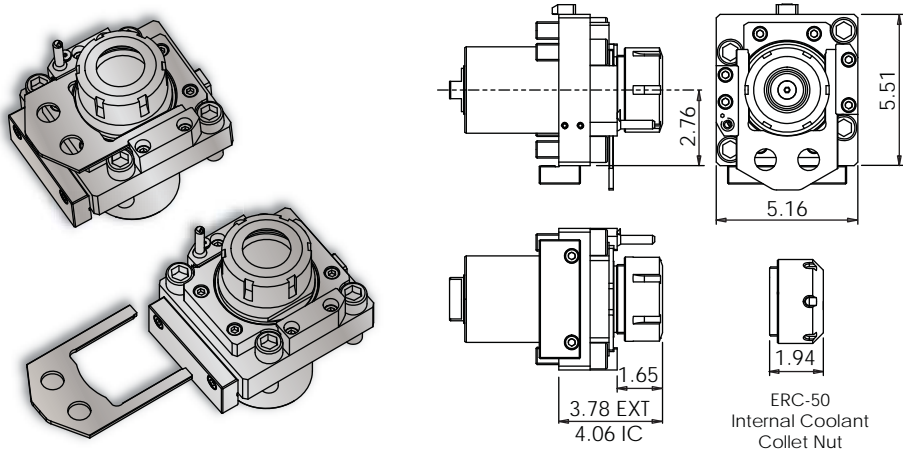


# VELOCITY TOOLING FOR OKUMA LU7000M

## Live Tools



### LU7000M Cross Tools • ER-50 Output



### Notes

#### Wrenches Included with Tools

| Maximum Drill Ø |        | Maximum Mill Ø |         |
|-----------------|--------|----------------|---------|
| EXT             | 1 3/8" | EXT            | 1 3/16" |
| IC              | 1 3/8" | IC             | 1 3/16" |

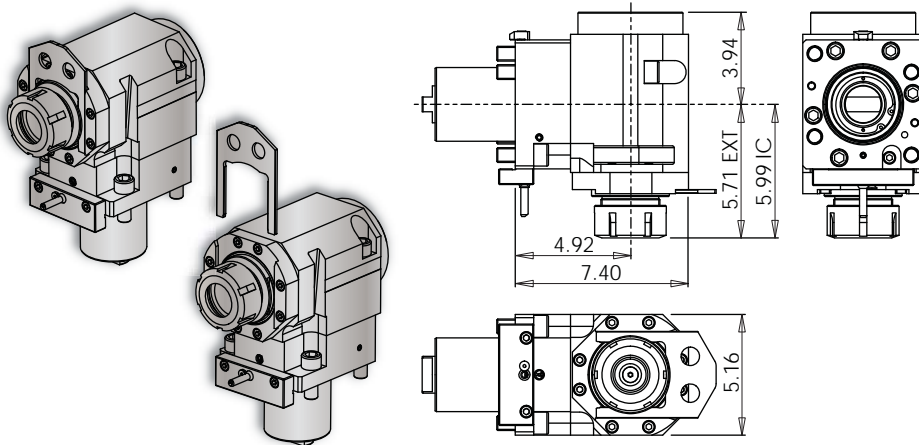
Turret Plugs 14.430.0.0157.0

\* 1,000 psi internal coolant (IC) cross tool **CANNOT** be run without coolant.

**All coolant thru live tools require 30 micron coolant filtration nominal, 50 micron coolant filtration absolute.**

| Tool #          | Coolant                | Output | Rotation (In:Out) | Ratio (In:Out) | Max. RPM | Torque | Spindle Wrench | Collet Wrench |
|-----------------|------------------------|--------|-------------------|----------------|----------|--------|----------------|---------------|
| 14.101.0.0279.0 | EXT                    | ER-50  | CW:CW             | 1:1            | 3,500    | 200 Nm | 1005101050     | 7111.50000    |
| 14.101.0.0277.0 | IC & EXT*<br>1,000 psi | ERC-50 | CW:CW             | 1:1            | 3,500    | 200 Nm | 1005101050     | 7111.50000    |

### LU7000M Face Tools • ER-50 Output



### Notes

#### Wrenches Included with Tools

| Maximum Drill Ø |        | Maximum Mill Ø |         |
|-----------------|--------|----------------|---------|
| EXT             | 1 3/8" | EXT            | 1 3/16" |
| IC              | 1 3/8" | IC             | 1 3/16" |

Turret Plugs 14.430.0.0157.0

\* 1,450 psi internal coolant (IC) face tool **CAN** be run without coolant; the coolant sealing mechanism can be completely dis-engaged.

**All coolant thru live tools require 30 micron coolant filtration nominal, 50 micron coolant filtration absolute.**

| Tool #          | Coolant                | Output | Rotation (In:Out) | Ratio (In:Out) | Max. RPM | Torque | Spindle Wrench | Collet Wrench |
|-----------------|------------------------|--------|-------------------|----------------|----------|--------|----------------|---------------|
| 14.800.0.0395.0 | EXT                    | ER-50  | CW:CW             | 1:1            | 3,500    | 200 Nm | 1005101050     | 7111.50000    |
| 14.800.0.0393.0 | IC & EXT*<br>1,450 psi | ERC-50 | CW:CW             | 1:1            | 3,500    | 200 Nm | 1005101050     | 7111.50000    |