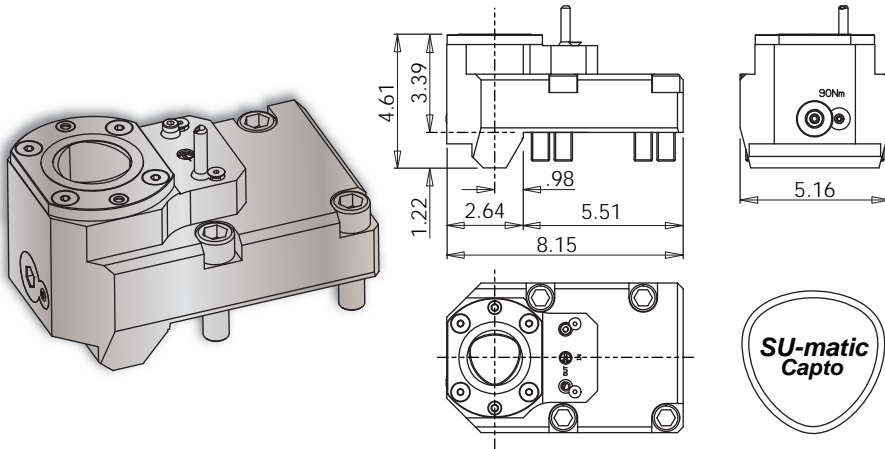


VELOCITY TOOLING FOR OKUMA LU7000M

SU-matic Capto® Tools



LU7000M C6 OD-I Holder



Notes

REGO-FIX® C6 Collet Chucks

ER Output	Rego-Fix Part #
ER-20	2806.12020
ER-25	2806.12520
ER-32	2806.13220
ER-40	2806.14020

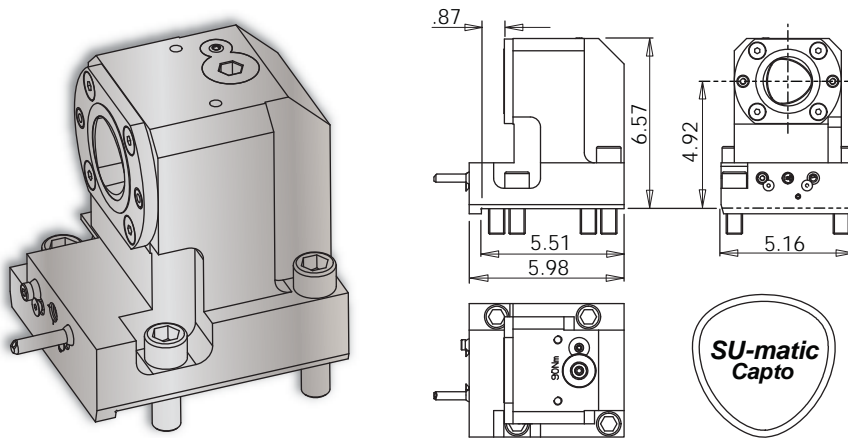
Turret Plugs 14.430.0.0157.0

VELOCITY/SU-matic tooling for OKUMA is manufactured on OKUMA machine tools.

SU-matic Capto® static tools are coolant thru. Coolant filtration is recommended.

Lathe Model	Tool #	Reversible (Main/Sub)	Coolant	Output	Hex Wrench	C6 Collet Chucks
LU7000M	14.910.0.0379.0	No	IC/EXT	C6	12 mm	See Above

LU7000M C6 ID Holder



Notes

REGO-FIX® C6 Collet Chucks

ER Output	Rego-Fix Part #
ER-20	2806.12020
ER-25	2806.12520
ER-32	2806.13220
ER-40	2806.14020

Turret Plugs 14.430.0.0157.0

VELOCITY/SU-matic tooling for OKUMA is manufactured on OKUMA machine tools.

SU-matic Capto® static tools are coolant thru. Coolant filtration is recommended.

Lathe Model	Tool #	Reversible (Main/Sub)	Coolant	Output	Hex Wrench	C6 Collet Chucks
LU7000M	14.910.0.0380.0	Yes	IC/EXT	C6	12 mm	See Above