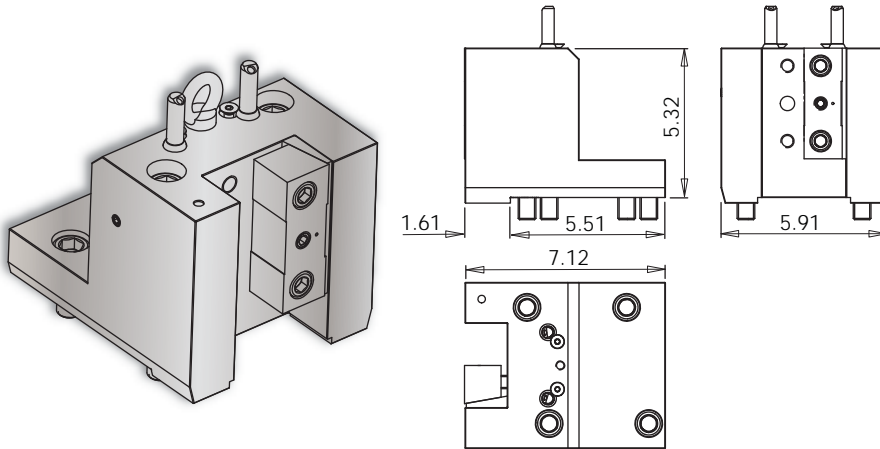


VELOCITY TOOLING FOR OKUMA LU7000M

Static Tools



LU7000M OD-I Holder • Small



Notes

3D Models (.stp) and CAS (.stl) files are available for all **VELOCITY/SU-matic** tool holders. Please contact Velocity: sales@velocityproducts.com.

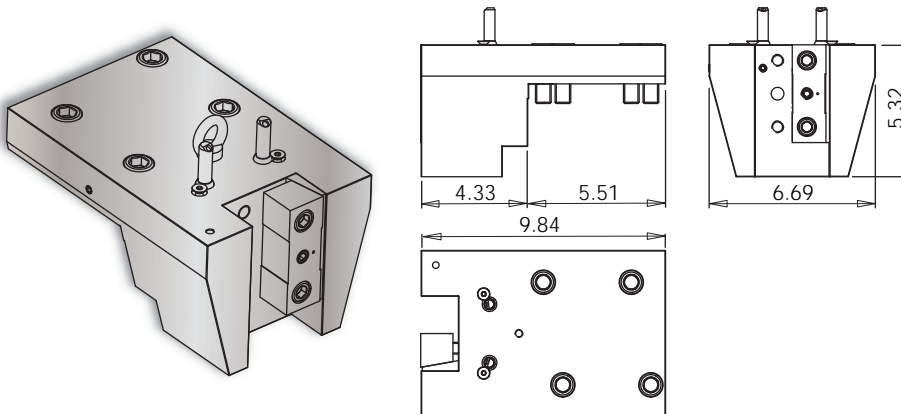
Turret Plugs	14.430.0.0157.0
--------------	-----------------

VELOCITY/SU-matic tooling for OKUMA is manufactured on OKUMA machine tools.

VELOCITY has the most complete inventory of tooling for OKUMA machine tools in North America.

Lathe Model	Tool #	Reversible (Main/Sub)	Stick Size	Depth	Height	Width
LU7000M	14.910.0.0518.0	Yes	1.5"	7.12"	5.32"	5.91"

LU7000M OD-I Holder • Large



Notes

3D Models (.stp) and CAS (.stl) files are available for all **VELOCITY/SU-matic** tool holders. Please contact Velocity: sales@velocityproducts.com.

Turret Plugs	14.430.0.0157.0
--------------	-----------------

VELOCITY/SU-matic tooling for OKUMA is manufactured on OKUMA machine tools.

VELOCITY has the most complete inventory of tooling for OKUMA machine tools in North America.

Lathe Model	Tool #	Reversible (Main/Sub)	Stick Size	Depth	Height	Width
LU7000M	14.910.0.0520.0	Yes	1.5"	9.84"	5.32"	6.69"