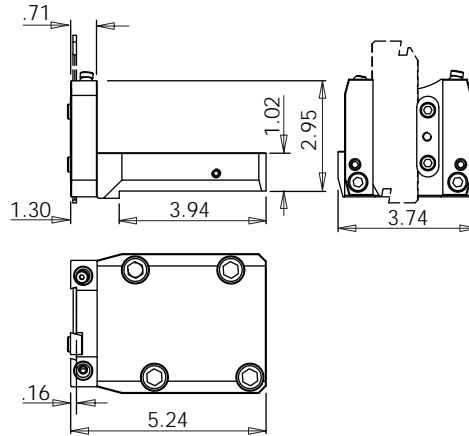
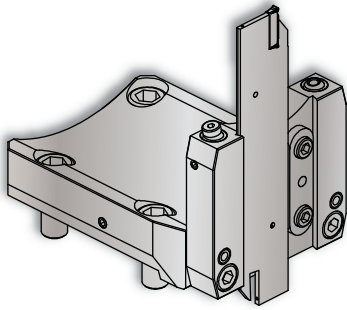


# VELOCITY TOOLING FOR OKUMA MULTUS U3000/U4000/U5000

## Static Tools



### Multus U3000/U4000/U5000 Cut-Off Blade Holder • Basic



### Notes

3D Models (.stp) and CAS (.stl) files are available for all *VELOCITY/SU-matic* tool holders. Please contact Velocity: [sales@velocityproducts.com](mailto:sales@velocityproducts.com).

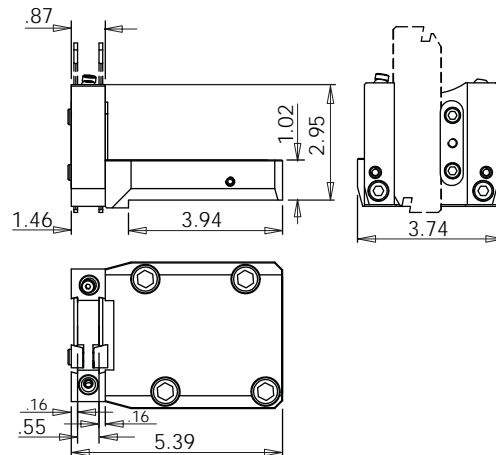
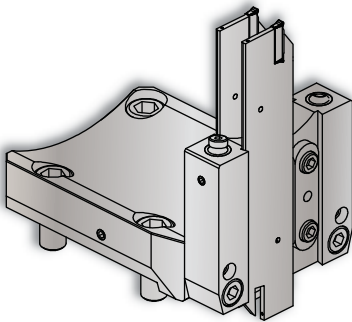
Turret Plugs	14.430.0.0086.0
--------------	-----------------

*VELOCITY/SU-matic* tooling for OKUMA is manufactured on OKUMA machine tools.

*VELOCITY* has the most complete inventory of tooling for OKUMA machine tools in North America.

Lathe Model	Tool #	Reversible (Main/Sub)	Blade Size	Depth	Height	Width
Multus	14.910.0.0169.1	Yes	32 mm	5.24"	2.95"	3.74"

### Multus U3000/U4000/U5000 Cut-Off Blade Holder • Premium



### Notes

3D Models (.stp) and CAS (.stl) files are available for all *VELOCITY/SU-matic* tool holders. Please contact Velocity: [sales@velocityproducts.com](mailto:sales@velocityproducts.com).

Turret Plugs	14.430.0.0086.0
--------------	-----------------

*VELOCITY/SU-matic* tooling for OKUMA is manufactured on OKUMA machine tools.

*VELOCITY* has the most complete inventory of tooling for OKUMA machine tools in North America.

Lathe Model	Tool #	Reversible (Main/Sub)	Blade Size	Depth	Height	Width
Multus	14.910.0.0207.1	Yes	32 mm	5.39"	2.95"	3.74"