

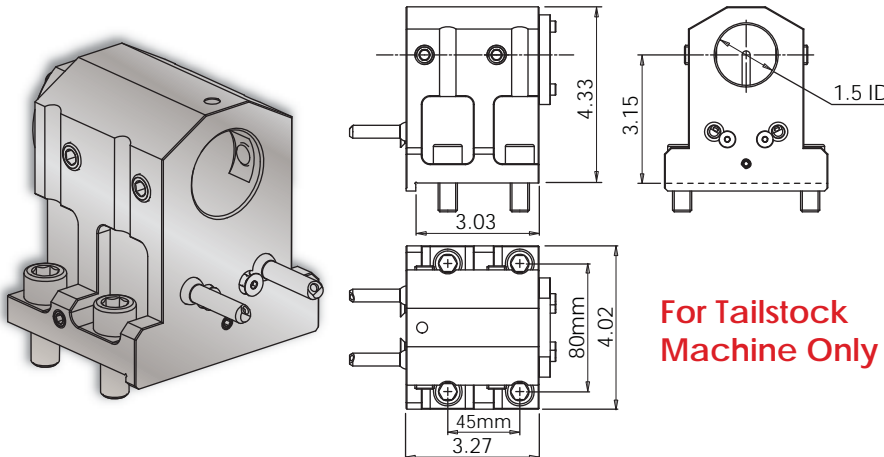
VELOCITY TOOLING FOR OKUMA MULTUS U3000/U4000/U5000

Static Tools



Multus U3000/U4000/U5000 1.5" Boring Bar Holder

Notes



VELOCITY/SU-matic ID holders can be used with both internal and external coolant. **Internal Coolant Plates** are included with all *VELOCITY/SU-matic* multitasking turret ID holders.

Turret Plugs	not applicable
--------------	-----------------------

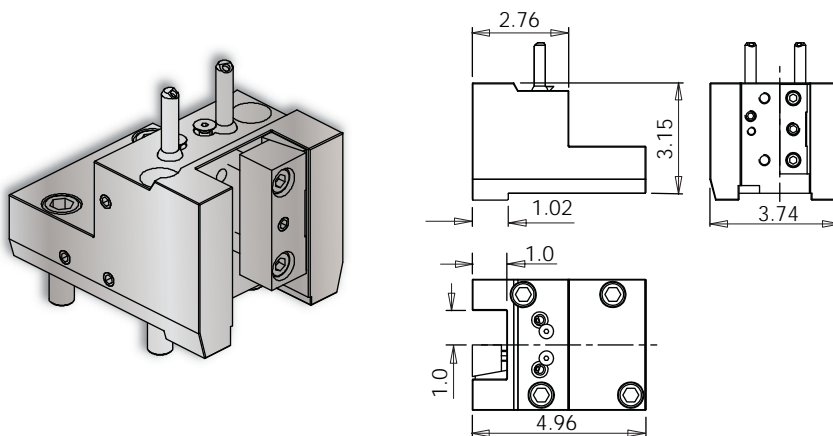
VELOCITY/SU-matic tooling for OKUMA is manufactured on OKUMA machine tools.

Coolant filtration is recommended when using ID holders with internal coolant plates.

Lathe Model	Tool #	Reversible (Main/Sub)	Coolant	ID	Height	Depth
Multus	14.910.0.0429.0	-	IC/EXT	1.5"	4.33"	3.27"

Multus U3000/U4000/U5000 OD-I-S Length Turning Holder

Notes



3D Models (.stp) and CAS (.stl) files are available for all *VELOCITY/SU-matic* tool holders. Please contact Velocity: sales@velocityproducts.com.

Turret Plugs	14.430.0.0086.0
--------------	-----------------

VELOCITY/SU-matic tooling for OKUMA is manufactured on OKUMA machine tools.

VELOCITY has the most complete inventory of tooling for OKUMA machine tools in North America.

Lathe Model	Tool #	Reversible (Main/Sub)	Stick Size	Depth	Height	Width
Multus	14.910.0.0175.0	Yes	1.0"	4.96"	3.15"	3.74"