

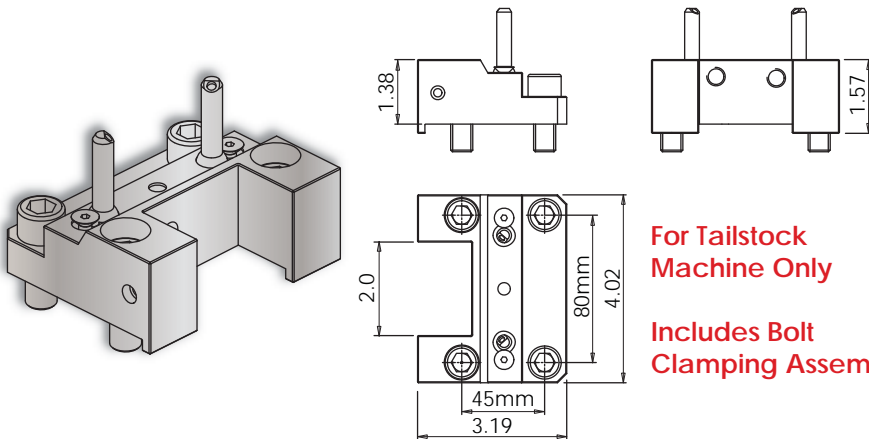
VELOCITY TOOLING FOR OKUMA MULTUS U3000/U4000/U5000

Static Tools



Multus U3000/U4000/U5000 OD-I Turning Holder

Notes



3D Models (.stp) and CAS (.stl) files are available for all *VELOCITY/SU-matic* tool holders. Please contact Velocity: sales@velocityproducts.com.

Turret Plugs	not applicable
--------------	-----------------------

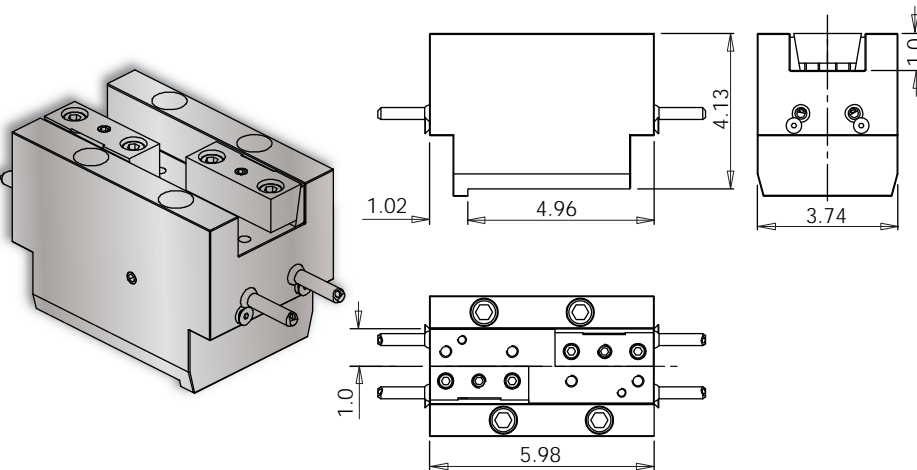
VELOCITY/SU-matic tooling for OKUMA is manufactured on OKUMA machine tools.

VELOCITY has the most complete inventory of tooling for OKUMA machine tools in North America.

Lathe Model	Tool #	Reversible (Main/Sub)	Stick Size	Depth	Height	Width
Multus	14.910.0.0282.B	No	1.0"	3.19"	1.38"	4.02"

Multus U3000/U4000/U5000 OD-II Face Turning Holder • Main/Sub

Notes



3D Models (.stp) and CAS (.stl) files are available for all *VELOCITY/SU-matic* tool holders. Please contact Velocity: sales@velocityproducts.com.

Turret Plugs	14.430.0.0086.0
--------------	-----------------

VELOCITY/SU-matic tooling for OKUMA is manufactured on OKUMA machine tools.

VELOCITY has the most complete inventory of tooling for OKUMA machine tools in North America.

Lathe Model	Tool #	Reversible (Main/Sub)	Stick Size	Depth	Height	Width
Multus	14.910.0.0177.0	No	1.0"	5.98"	4.13"	3.74"