

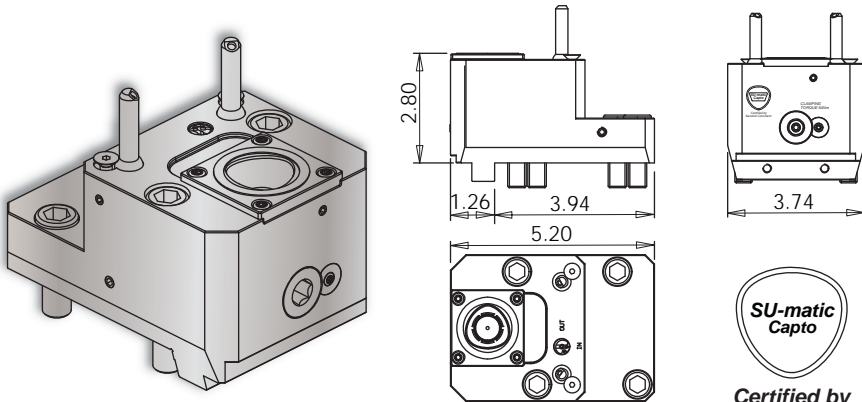
VELOCITY TOOLING FOR OKUMA MULTUS U3000/U4000/U5000

SU-matic Capto® Tools



Multus U3000/U4000/U5000 C4 OD-I-S Length Turning Holder

Notes



REGO-FIX® C4 Collet Chucks

ER Output	Rego-Fix Part #
ER-16	2804.11630
ER-20	2804.12010
ER-25	2804.12510
ER-32	2804.13210

Turret Plugs 14.430.0.0086.0

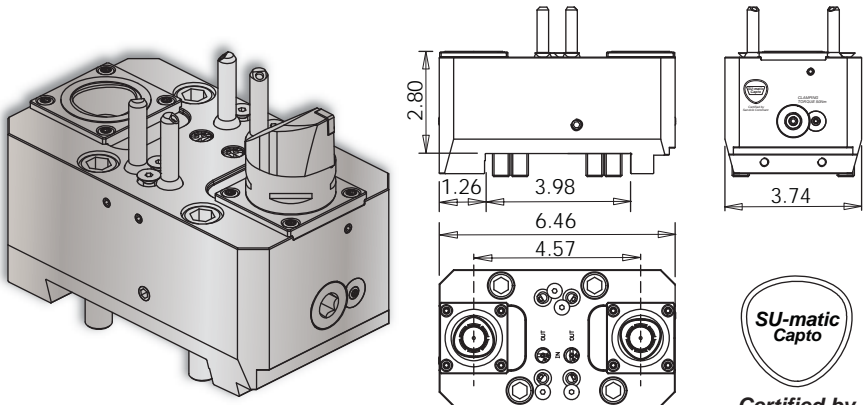
VELOCITY/SU-matic tooling for OKUMA is manufactured on OKUMA machine tools.

SU-matic Capto® static tools are coolant thru. Coolant filtration is recommended.

Lathe Model	Tool #	Reversible (Main/Sub)	Coolant	Output	Hex Wrench	C4 Collet Chucks
Multus	14.910.0.0266.0	Yes	IC/EXT	C4	10 mm	See Above

Multus U3000/U4000/U5000 C4 OD-I-D Length Turning Holder

Notes



REGO-FIX® C4 Collet Chucks

ER Output	Rego-Fix Part #
ER-16	2804.11630
ER-20	2804.12010
ER-25	2804.12510
ER-32	2804.13210

Turret Plugs 14.430.0.0086.0

VELOCITY/SU-matic tooling for OKUMA is manufactured on OKUMA machine tools.

SU-matic Capto® static tools are coolant thru. Coolant filtration is recommended.

Lathe Model	Tool #	Reversible (Main/Sub)	Coolant	Output	Hex Wrench	C4 Collet Chucks
Multus	14.910.0.0267.0	-	IC/EXT	C4 (2)	10 mm	See Above