

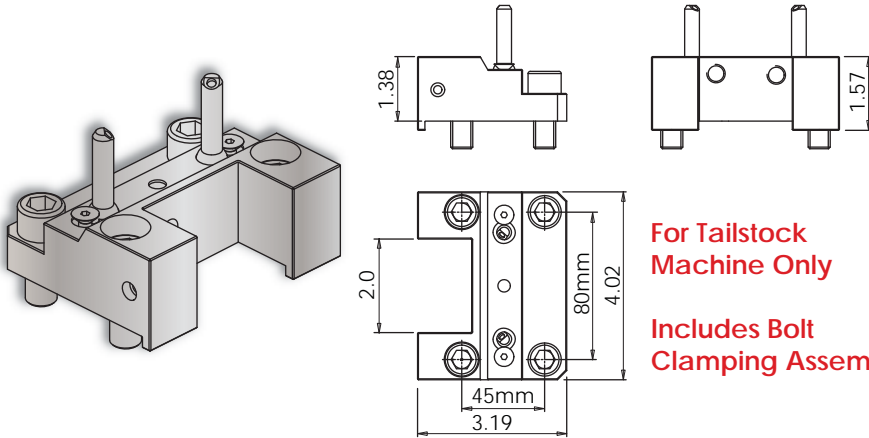
VELOCITY TOOLING FOR OKUMA MULTUS U3000/U4000/U5000

Static Tools



Multus U3000/U4000/U5000 OD-I Turning Holder

Notes



For Tailstock Machine Only

Includes Bolt Clamping Assembly

3D Models (.stp) and CAS (.stl) files are available for all *VELOCITY/SU-matic* tool holders. Please contact Velocity: sales@velocityproducts.com.

Turret Plugs **not applicable**

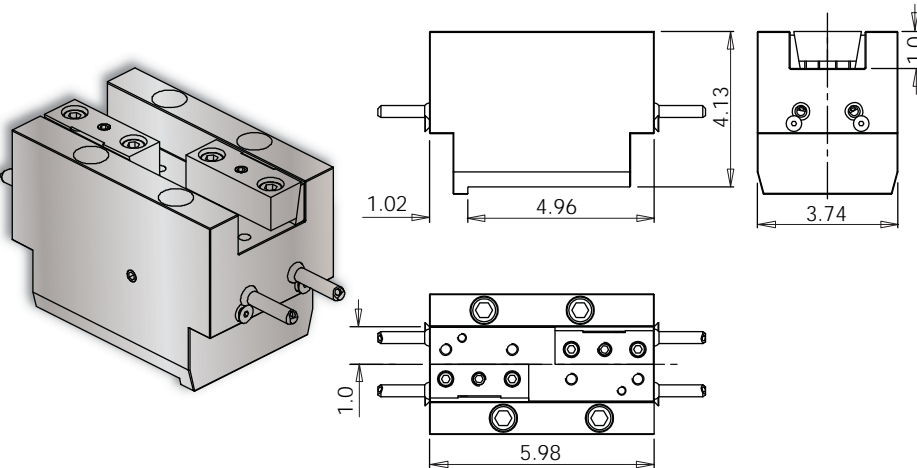
VELOCITY/SU-matic tooling for OKUMA is manufactured on OKUMA machine tools.

VELOCITY has the most complete inventory of tooling for OKUMA machine tools in North America.

| Lathe Model | Tool # | Reversible (Main/Sub) | Stick Size | Depth | Height | Width |
|-------------|-----------------|-----------------------|------------|-------|--------|-------|
| Multus | 14.910.0.0282.B | No | 1.0" | 3.19" | 1.38" | 4.02" |

Multus U3000/U4000/U5000 OD-II Face Turning Holder • Main/Sub

Notes



3D Models (.stp) and CAS (.stl) files are available for all *VELOCITY/SU-matic* tool holders. Please contact Velocity: sales@velocityproducts.com.

Turret Plugs 14.430.0.0086.0

VELOCITY/SU-matic tooling for OKUMA is manufactured on OKUMA machine tools.

VELOCITY has the most complete inventory of tooling for OKUMA machine tools in North America.

| Lathe Model | Tool # | Reversible (Main/Sub) | Stick Size | Depth | Height | Width |
|-------------|-----------------|-----------------------|------------|-------|--------|-------|
| Multus | 14.910.0.0177.0 | No | 1.0" | 5.98" | 4.13" | 3.74" |