

# VELOCITY TOOLING FOR OKUMA MULTUS U3000/U4000/U5000

## Static Tools



### Multus U3000/U4000/U5000 OD-II Extended Face Turning Holder • Main/Sub

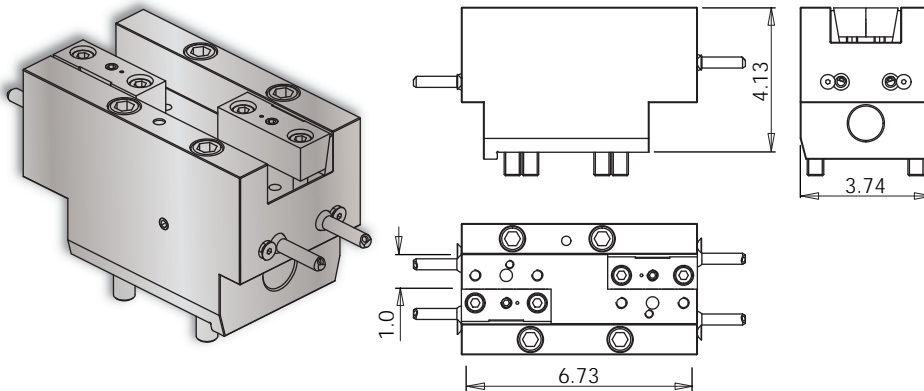
#### Notes

3D Models (.stp) and CAS (.stl) files are available for all **VELOCITY/SU-matic** tool holders. Please contact Velocity: [sales@velocityproducts.com](mailto:sales@velocityproducts.com).

Turret Plugs	14.430.0.0086.0
--------------	-----------------

**VELOCITY/SU-matic** tooling for OKUMA is manufactured on OKUMA machine tools.

**VELOCITY** has the most complete inventory of tooling for OKUMA machine tools in North America.



Lathe Model	Tool #	Reversible (Main/Sub)	Stick Size	Depth	Height	Width
Multus	14.910.0.0374.0	No	1.0"	6.73"	4.13"	3.74"

### Multus U3000/U4000/U5000 OD-II Face Turning Holder

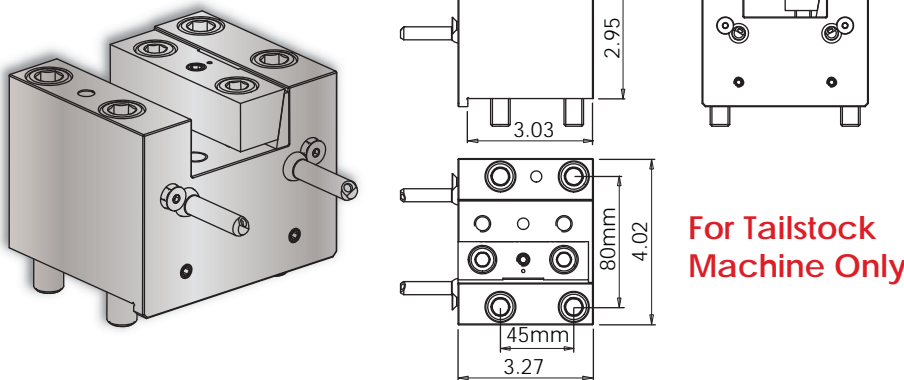
#### Notes

3D Models (.stp) and CAS (.stl) files are available for all **VELOCITY/SU-matic** tool holders. Please contact Velocity: [sales@velocityproducts.com](mailto:sales@velocityproducts.com).

Turret Plugs	not applicable
--------------	----------------

**VELOCITY/SU-matic** tooling for OKUMA is manufactured on OKUMA machine tools.

**VELOCITY** has the most complete inventory of tooling for OKUMA machine tools in North America.



Lathe Model	Tool #	Reversible (Main/Sub)	Stick Size	Depth	Height	Width
Multus	14.910.0.0428.0	No	1.0"	3.27"	2.95"	4.02"