

June 2019

VELOCITY **LED LIGHTING**

INNOVATION : PERFORMANCE

www.velocityproducts.com



*Ultra-Bright
LED Lighting
Engineered for
Machine Tools*

Velocity Ultra-Bright LED Lighting

Velocity ultra-bright LED lighting products are designed and manufactured **specifically for use in a machine tool environment**. Velocity ROMA lighting features extended life LED's, completely impervious assemblies sealed to IP68, and tempered glass lenses. Velocity ROMA series enclosures are machined from solid aluminum and feature powerful Neodymium rare earth magnets for quick and secure mounting.

Contents

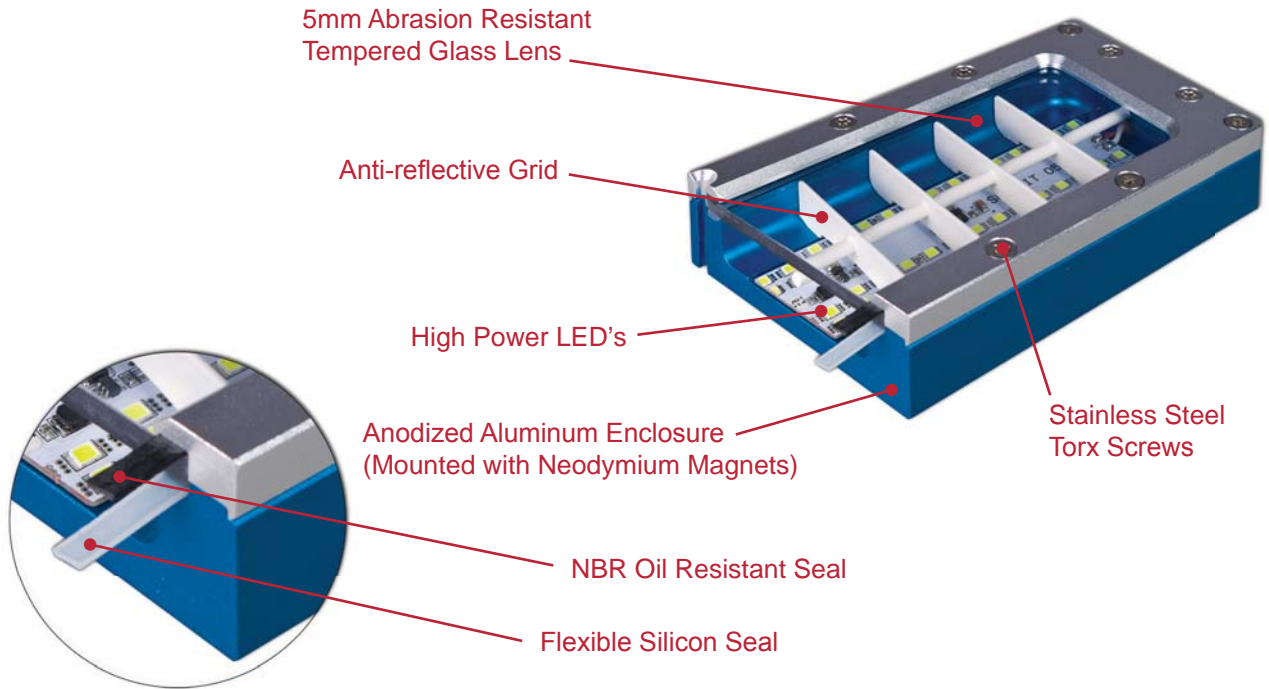
ROMA FEATURES • SPECIFICATIONS	2
ROMA LED 9	3
ROMA LED 18	4
FLEX 80 INSPECTION LAMP	5
STACK LED	5
ORDER FORM	6



FEATURES • SPECIFICATIONS

VELOCITY
LED LIGHTING

ROMA LED FEATURES



ROMA LED SPECIFICATIONS



- One year warranty.
- Fastened with rare earth neodymium magnets for quick and secure mounting.
- Mounting brackets also available.
- Protection: Class III / IP68 / IK07.
- IP 69 UL listed FLEXA cable (9').
- UL listed circuit board.
- 24 VDC - powered via standard machine tool power source.
- External transformer included for use with 110/220 VAC power source.



ROMA LED LIGHTING



ROMA LED 9

FEATURES

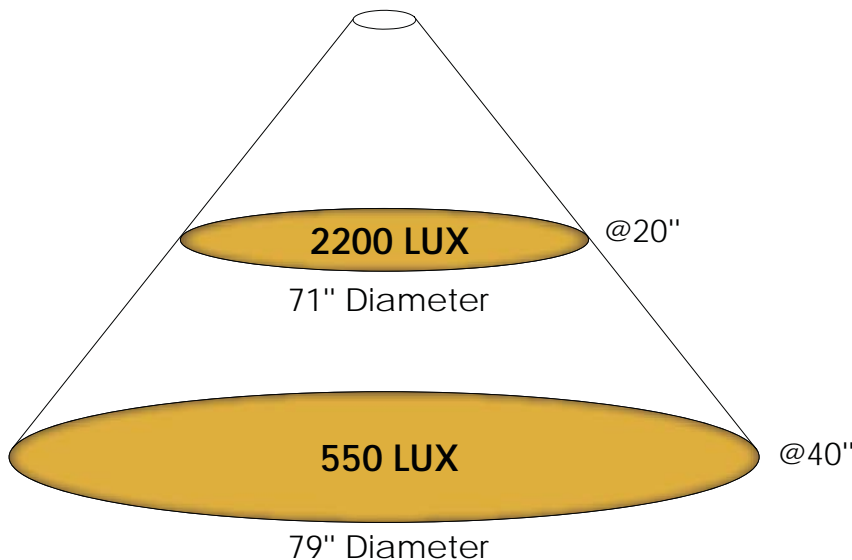


- One year warranty.
- Fastened with neodymium magnets for quick and secure mounting.
- Mounting brackets also available.
- Protection: Class III / IP68 / IK07.
- Extended life LED's.
- Anodized housing machined from solid aluminum.
- Tempered glass lens.
- High strength 9' cable.

Part Number	Number of LED's	Dimensions (L x W x D - inches)	Mounting Method	Lumens	Power Required	Amps @ 24 V	External Transformer (included)		Cable Length
							Amps @ 120 V	Amps @ 240 V	
L09MAG24V	54	10.63" x 1.57 x 1.25"	Neodymium Magnets*	1,700	24 Volts DC**	0.6	.13	.075	9'

ROMA LED 9 LIGHT INTENSITY

INSTALLATION



- The 24 VDC ROMA LED requires no transformer - use a 24 VDC power source from the machine tool.
- If a 110/220 VAC power source is required, an external 110/220 VAC transformer is included.
- To switch the 110/220 VAC ROMA LED from the machine tool control, wire the ROMA LED in parallel with the existing 110/220 VAC machine light.

*Mounting brackets also available. **110/220 VAC transformer included.



ROMA LED LIGHTING



ROMA LED 18

FEATURES

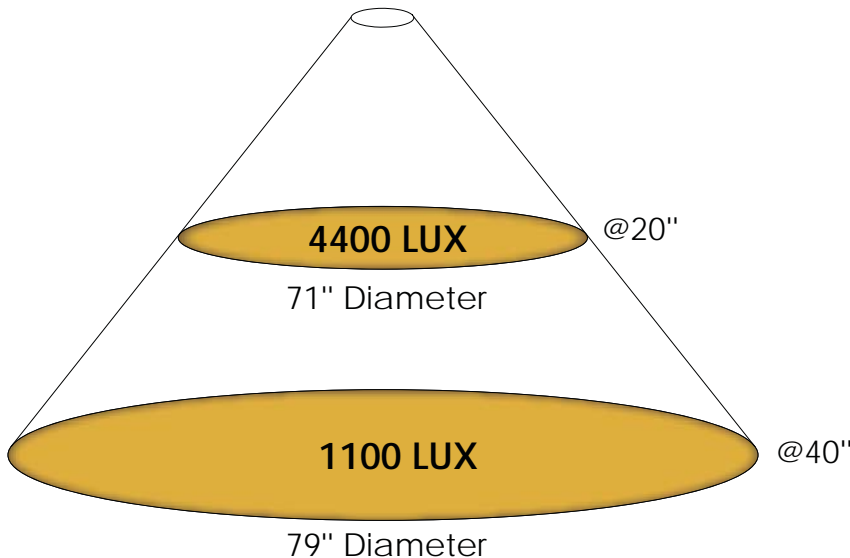


- One year warranty.
- Fastened with neodymium magnets for quick and secure mounting.
- Mounting brackets also available.
- Protection: Class III / IP68 / IK07.
- Extended life LED's.
- Anodized housing machined from solid aluminum.
- Tempered glass lens.
- High strength 9' cable.

Part Number	Number of LED's	Dimensions (L x W x D - inches)	Mounting Method	Lumens	Power Required	Amps @ 24 V	External Transformer (included)		Cable Length
							Amps @ 120 V	Amps @ 240 V	
L18MAG24V	120	10.63" x 3.13" x 1.25"	Neodymium Magnets*	3,600	24 Volts DC**	1.1	.32	.185	9'

ROMA LED 18 LIGHT INTENSITY

INSTALLATION



- The 24 VDC ROMA LED requires no transformer - use a 24 VDC power source from the machine tool.
- If a 110/220 VAC power source is required, an external 110/220 VAC transformer is included.
- To switch the 110/220 VAC ROMA LED from the machine tool control, wire the ROMA LED in parallel with the existing 110/220 VAC machine light.

*Mounting brackets also available. **110/220 VAC transformer included.



FLEX EYE LED • STACK LED

VELOCITY
LED LIGHTING

FLEX 80 INSPECTION LAMP



FEATURES

- Extended life LED's.
- Anodized aluminum enclosure.
- Magnetic base.
- 20" flexible arm.
- Sealed to IP64.
- Internal power transformer.
- Light beam: 25°.

Part Number	Number of LED's	Dimensions	Mounting Method	LUX @ 20" 25° Lens	Power Required	Transformer	Power Consumption	Cord Length (inches)
SOMFX80	7	3.14" Base x 20" arm	Neodymium magnetic base	9400 20" Ø beam	120 Volts AC	Internal	8.4 Watts	72"

STACK LED



FEATURES

- Extended life LED's.
- Light modules available: red, green, yellow, white.
- More than one color can be on simultaneously with multiple module configurations.
- Stainless steel screws.

Part Number	Number of LED's	Number of Modules	Color (s) Available	Mounting Method	Power Required	Switching Signal	Power Consumption	Cable Termination
STACK 1	Two rows of (6) LED's per module	1	R / G / Y / W	Bolt	24 Volts DC	24 Volts DC	12 Watts	Snap On Terminals
STACK 2		2						
STACK 3		3						
STACK 4		4						







ORDER FORM
FAX: 256-461-8164

VELOCITY
LED LIGHTING

Company _____
 Contact _____
 Address _____
 City, State, Zip _____
 E-mail _____
 Phone/Fax # _____



Credit Card _____ Name on Card _____
 Card Number _____ Security Number _____
 Expiration Date _____ Signature _____

Item	Part Number	Mounting Method	Lens Type		Price (1)-(9) units	Quantity	Total
	ROMA 9 24 Volt	L09MAG24V	Neodymium Rare Earth Magnets (Mounting Brackets Also Available)	Tempered Glass	\$520.44		
	ROMA 18 24 Volt	L18MAG24V			\$751.22		
	FLEX 80	SOMFX80			Neodymium Rare Earth Magnets	\$576.39	
Item	Part Number	Mounting Method	# of Modules	Color(s) R / G / Y / W	Price (1)-(9) units	Quantity	Total
	STACK 1	Bolt on	1 Module		\$252.36		
	STACK 2		2 Modules		\$275.68		
	STACK 3		3 Modules		\$298.99		
	STACK 4		4 Modules		\$322.30		



VELOCITY **LED LIGHTING**

INNOVATION : PERFORMANCE

www.velocityproducts.com



*Ultra-Bright
LED Lighting
Engineered for
Machine Tools*

Velocity Products • 350 Electronics Blvd, Huntsville, AL 35824 • 256-258-5549

www.velocityproducts.com • sales@velocityproducts.com

© Velocity Products • Specifications subject to change without notice • Velocity Lighting 06.2019