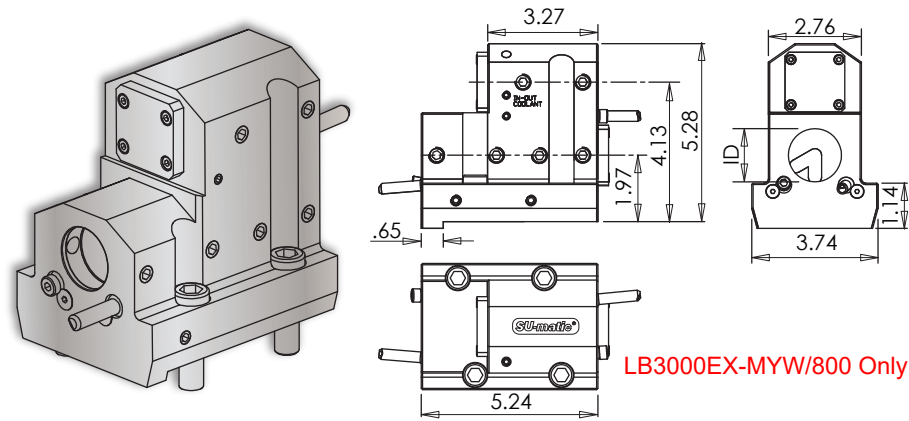


VELOCITY TOOLING FOR OKUMA LB2000/LB3000 M/MY/MYW

Static Tools



LB3000EX-MYW/800 Boring Bar Holder • Main/Sub Spindle



Notes

VELOCITY ID holders can be used with both internal and external coolant. **Internal Coolant Plates** are included with all **VELOCITY** multitasking turret ID holders.

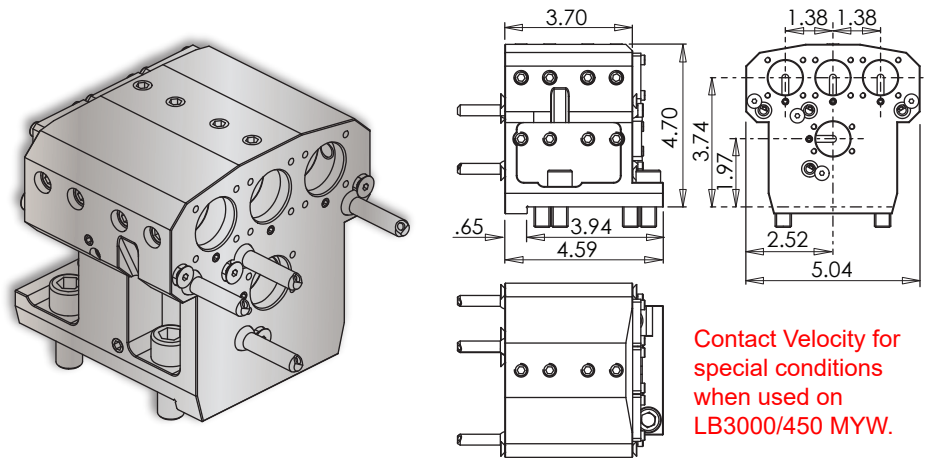
Turret Plugs V01-D0-0511

VELOCITY tooling for **OKUMA** is manufactured on **OKUMA** machine tools.

Coolant filtration is recommended when using ID holders with internal coolant plates.

Lathe Model	Tool #	Reversible (Main/Sub)	Coolant	ID Top	ID Bottom	Height
LB3000 MYW	14.910.0.0211.0	-	IC/EXT	1.5"	1.5"	5.28"

LB2000/LB3000 MY/MYW Quad Boring Bar Holder



Notes

VELOCITY ID holders can be used with both internal and external coolant. **Internal Coolant Plates** are included with all **VELOCITY** multitasking turret ID holders.

Turret Plugs V01-D0-0511

VELOCITY tooling for **OKUMA** is manufactured on **OKUMA** machine tools.

Coolant filtration is recommended when using ID holders with internal coolant plates.

Lathe Model	Tool #	Reversible (Main/Sub)	Coolant	ID	Height	Depth
LB3000 MY	14.910.0.0363.0	No	IC/EXT	1.0" x (4)	4.70"	4.59"

VELOCITY

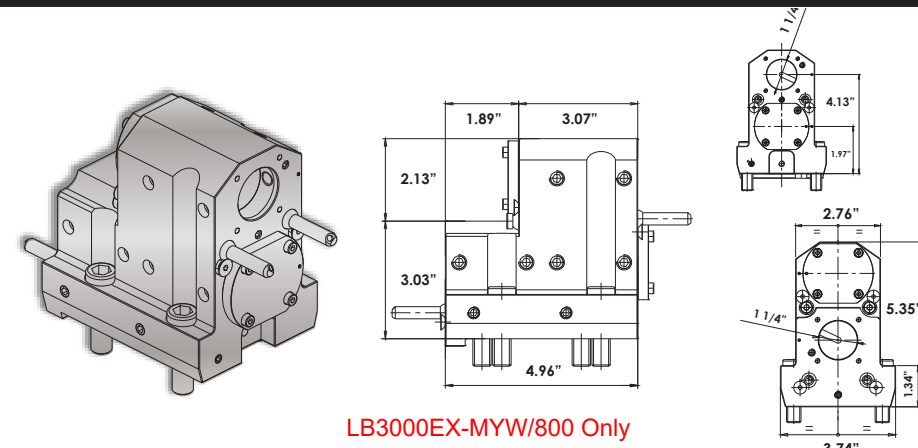
VELOCITYPRODUCTS.COM

VELOCITY TOOLING FOR OKUMA LB2000/LB3000 M/MY/MYW

Static Tools



LB3000EX-MYW/800 1.25" & 1.25" Boring Bar Holder



Notes

VELOCITY ID holders can be used with both internal and external coolant. **Internal Coolant Plates** are included with all **VELOCITY** multitasking turret ID holders.

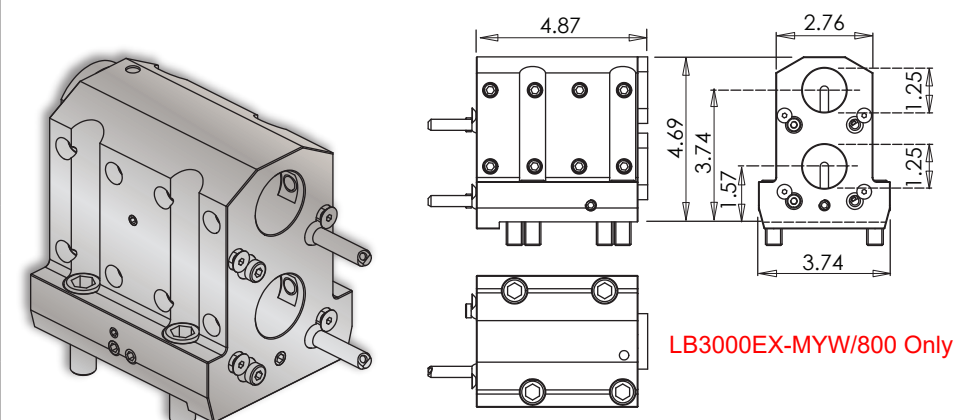
Turret Plugs V01-D0-0511

VELOCITY tooling for **OKUMA** is manufactured on **OKUMA** machine tools.

Coolant filtration is recommended when using ID holders with internal coolant plates.

Lathe Model	Tool #	Reversible (Main/Sub)	Coolant	ID Top	ID Bottom	Height
LB2000 MYW	14.910.0.0217.0	No	IC/EXT	1.25"	1.25"	5.16"

LB3000EX-MYW/800 Boring Bar Holder • Dual Output



Notes

VELOCITY ID holders can be used with both internal and external coolant. **Internal Coolant Plates** are included with all **VELOCITY** multitasking turret ID holders.

Turret Plugs V01-D0-0511

VELOCITY tooling for **OKUMA** is manufactured on **OKUMA** machine tools.

Coolant filtration is recommended when using ID holders with internal coolant plates.

Lathe Model	Tool #	Reversible (Main/Sub)	Coolant	ID Top	ID Bottom	Height
LB3000 MY	14.910.0.0316.0	-	IC/EXT	1.25"	1.25"	4.69"

VELOCITY

VELOCITYPRODUCTS.COM