

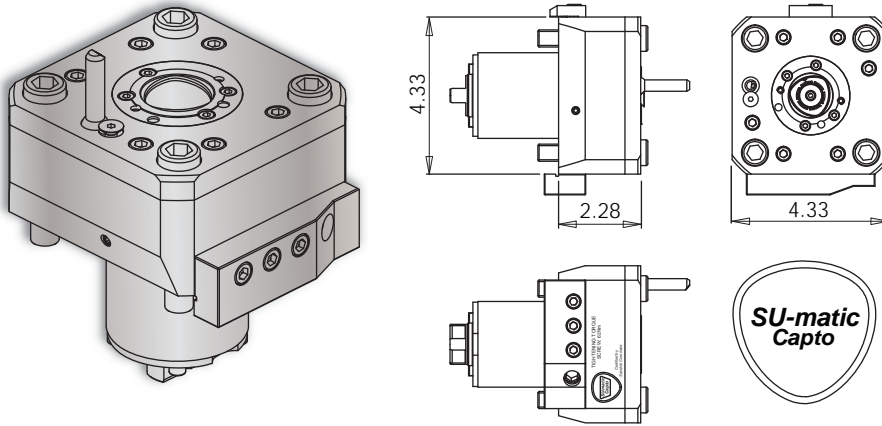
VELOCITY TOOLING FOR OKUMA LU4000 M/MY

Capto® Live Tools



LU4000 M Capto® C4 Cross Tool

Notes



REGO-FIX® Capto® C4 Collet Chucks

ER Output	Rego-Fix Part #
ER-16	2804.11630
ER-20	2804.12010
ER-25	2804.12510
ER-32	2804.13210
Turret Plugs	14.430.0.0087.0

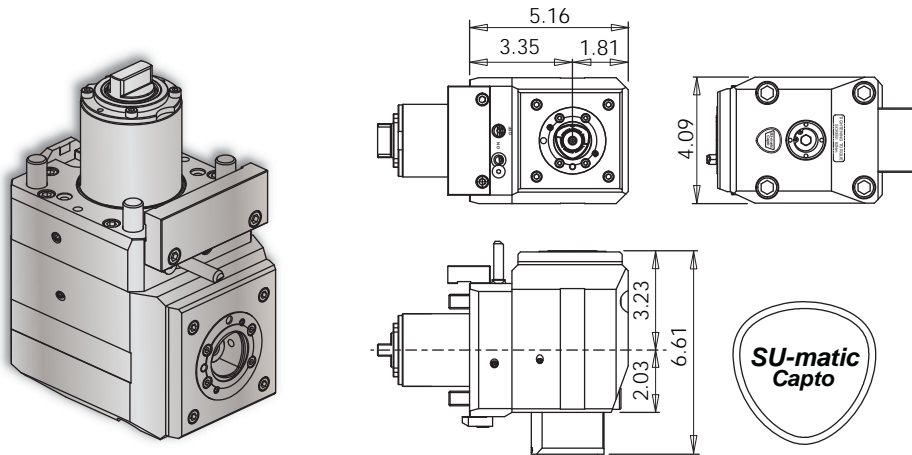
* 1,000 psi internal coolant (IC) cross tool CANNOT be run without coolant.

All coolant thru tools require 30 micron coolant filtration nominal, 50 micron coolant filtration absolute.

Tool #	Coolant	Output	Rotation (In:Out)	Ratio (In:Out)	Max. RPM	Torque	Capto Wrench	C4 Collet Chucks
14.101.0.0349.0 (14.101.0.0229.0)	IC & EXT* 1,000 psi	Capto C4	CW:CW	1:1	6,000	60 Nm	10 mm	See Above

LU4000 M Capto® C4 Face Tool

Notes



REGO-FIX® Capto® C4 Collet Chucks

ER Output	Rego-Fix Part #
ER-16	2804.11630
ER-20	2804.12010
ER-25	2804.12510
ER-32	2804.13210
Turret Plugs	14.430.0.0087.0

* 1,450 psi internal coolant (IC) face tool CAN be run without coolant; the coolant sealing mechanism can be completely dis-engaged.

All coolant thru tools require 30 micron coolant filtration nominal, 50 micron coolant filtration absolute.

Tool #	Coolant	Output	Rotation (In:Out)	Ratio (In:Out)	Max. RPM	Torque	Capto Wrench	C4 Collet Chucks
14.800.0.0244.1	IC & EXT* 1,450 psi	Capto C4	CW:CW	1:1	6,000	85 Nm	10 mm	See Above