

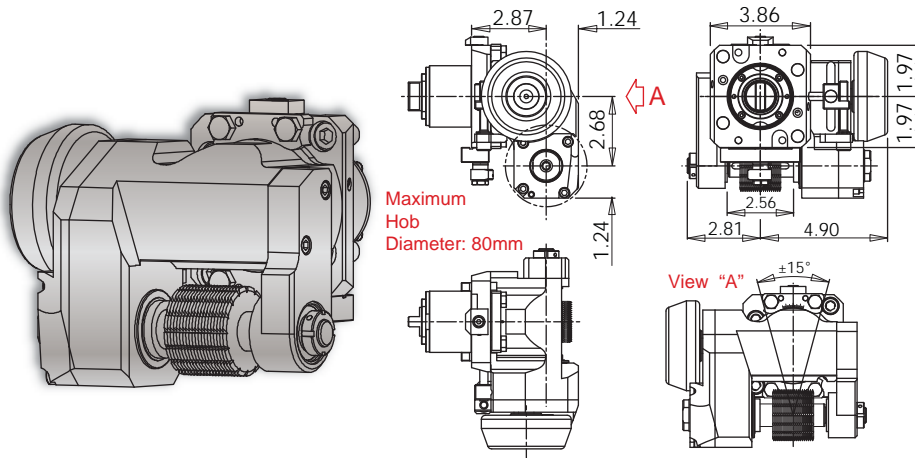
VELOCITY TOOLING FOR OKUMA MULTUS U3000/U4000/U5000

Live Tools • Static Tools



Multus U3000/U4000/U5000 Gear Hobbing Tool • 3/4" Arbor

Notes



Wrenches Included with Tools

Maximum Hob Ø	Max. Gear Quality
---------------	-------------------

80 mm	AGMA 7
-------	--------

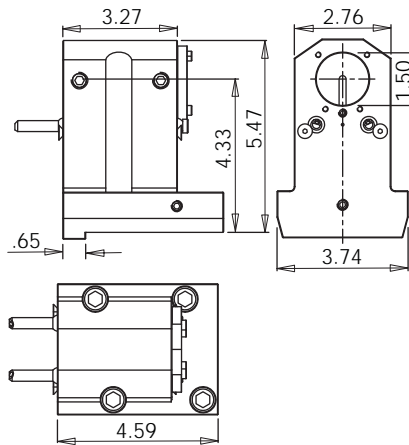
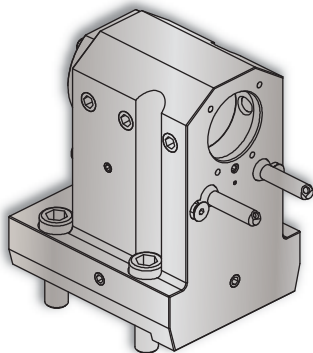
Turret Plugs	14.430.0.0086.0
--------------	-----------------

VELOCITY/SU-matic driven tools are greased for life and delivered ready to use - **no run-in required**. All driven tools are CMM inspected and internal coolant tools are pressure tested as a final quality check prior to shipment.

Tool #	Coolant	Arbor Diameter	Rotation (In:Out)	Ratio (In:Out)	Max. RPM	Torque	3/4" Arbor
14.800.0.0228.0	EXT	3/4"	CW:CCW	2:1	3,000	50 Nm	14.420.0.0126.0

Multus U3000/U4000/U5000 Boring Bar Holder

Notes



VELOCITY/SU-matic ID holders can be used with both internal and external coolant.

Internal Coolant Plates are included with all *VELOCITY/SU-matic* multitasking turret ID holders.

Turret Plugs	14.430.0.0086.0
--------------	-----------------

VELOCITY/SU-matic tooling for OKUMA is manufactured on OKUMA machine tools.

Coolant filtration is recommended when using ID holders with internal coolant plates.

Lathe Model	Tool #	Reversible (Main/Sub)	Coolant	ID	Height	Depth (Top)
Multus	14.910.0.0173.0	Yes	IC/EXT	1.5"	5.47"	3.27"