

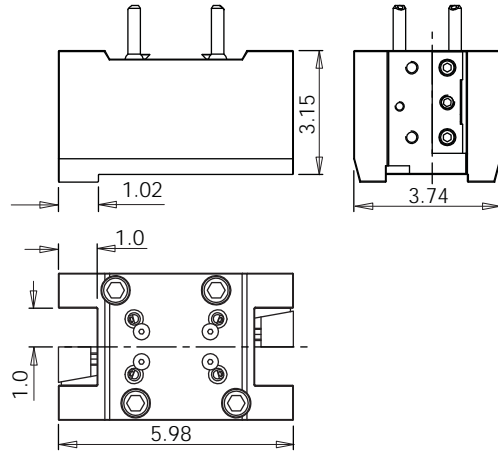
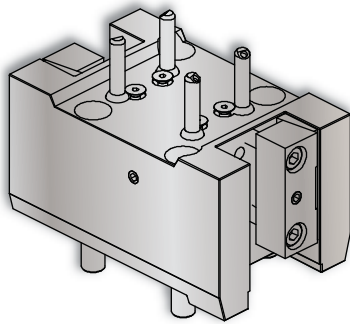
VELOCITY TOOLING FOR OKUMA LT3000 M/MY

Static Tools



LT3000 OD-I-D Length Turning Holder • Left / Right Spindles

Notes



3D Models (.stp) and CAS (.stl) files are available for all *VELOCITY/SU-matic* tool holders. Please contact Velocity: sales@velocityproducts.com.

Turret Plugs	14.430.0.0086.0
--------------	-----------------

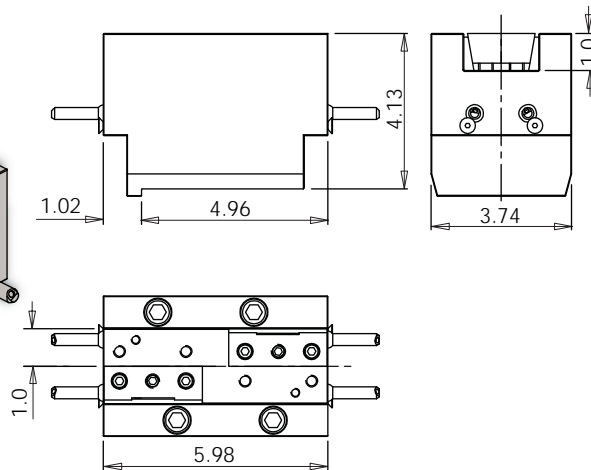
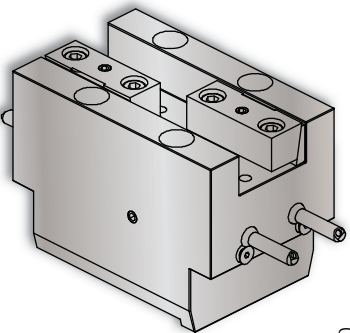
VELOCITY/SU-matic tooling for OKUMA is manufactured on OKUMA machine tools.

VELOCITY has the most complete inventory of tooling for OKUMA machine tools in North America.

Lathe Model	Tool #	Reversible (Main/Sub)	Stick Size	Depth	Height	Width
LT3000	14.910.0.0176.0	-	1.0"	5.98"	3.15"	3.74"

LT3000 OD-II Face Turning Holder • Left / Right Spindles

Notes



3D Models (.stp) and CAS (.stl) files are available for all *VELOCITY/SU-matic* tool holders. Please contact Velocity: sales@velocityproducts.com.

Turret Plugs	14.430.0.0086.0
--------------	-----------------

VELOCITY/SU-matic tooling for OKUMA is manufactured on OKUMA machine tools.

VELOCITY has the most complete inventory of tooling for OKUMA machine tools in North America.

Lathe Model	Tool #	Reversible (Main/Sub)	Stick Size	Depth	Height	Width
LT3000	14.910.0.0177.0	-	1.0"	5.98"	4.13"	3.74"