

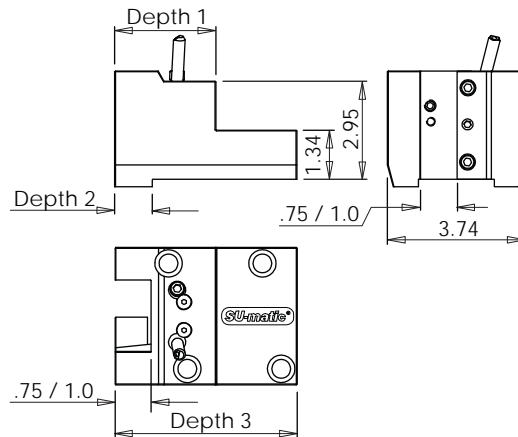
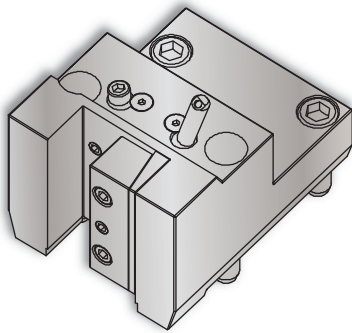
VELOCITY TOOLING FOR OKUMA GENOS L300/L3000 BMT

Static Tools



GENOS L300/L3000 OD-I Length Turning Holders

Notes



3D Models (.stp) and CAS (.stl) files are available for all **VELOCITY/SU-matic** tool holders. Please contact Velocity: sales@velocityproducts.com.

Turret Plugs	14.430.0.0086.0
--------------	-----------------

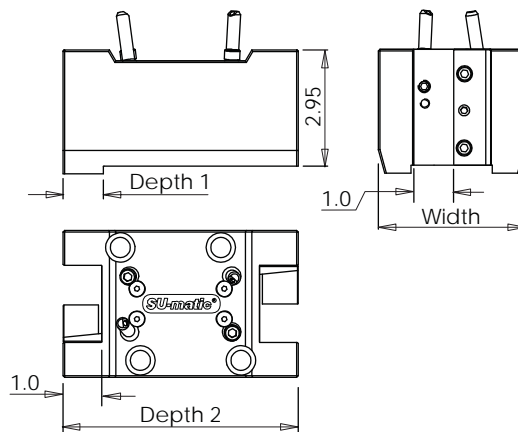
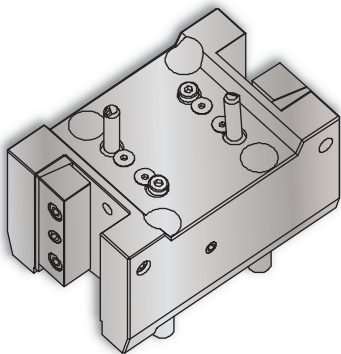
VELOCITY/SU-matic tooling for OKUMA is manufactured on OKUMA machine tools.

VELOCITY has the most complete inventory of tooling for OKUMA machine tools in North America.

Tool #	Reversible (Main/Sub)	Stick Size	Depth 1	Depth 2	Depth 3
14.910.0.0215.0	Yes	.75"	2.56"	.83"	4.76"
14.910.0.0209.0	Yes	1.0"	2.76"	1.02"	4.96"

GENOS L300/L3000 MW • L300 MYW OD-I-S Length Turning Holder

Notes



3D Models (.stp) and CAS (.stl) files are available for all **VELOCITY/SU-matic** tool holders. Please contact Velocity: sales@velocityproducts.com.

Turret Plugs	14.430.0.0086.0
--------------	-----------------

VELOCITY/SU-matic tooling for OKUMA is manufactured on OKUMA machine tools.

VELOCITY has the most complete inventory of tooling for OKUMA machine tools in North America.

Tool #	Reversible (Main/Sub)	Stick Size	Depth 1	Depth 2	Width
14.910.0.0212.0	Yes	1.0"	1.02"	5.98"	3.74"