

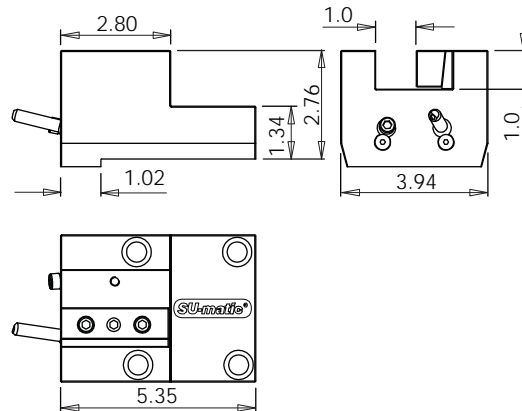
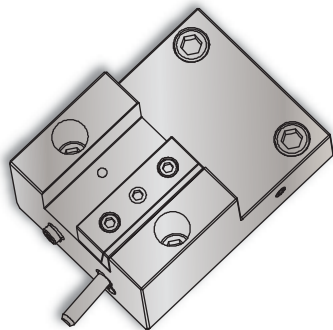
VELOCITY TOOLING FOR OKUMA LU4000 M/MY

Static Tools



LU4000 M OD-II Face Turning Holder

Notes



3D Models (.stp) and CAS (.stl) files are available for all **VELOCITY/SU-matic** tool holders. Please contact Velocity: sales@velocityproducts.com.

Turret Plugs 14.430.0.0087.0

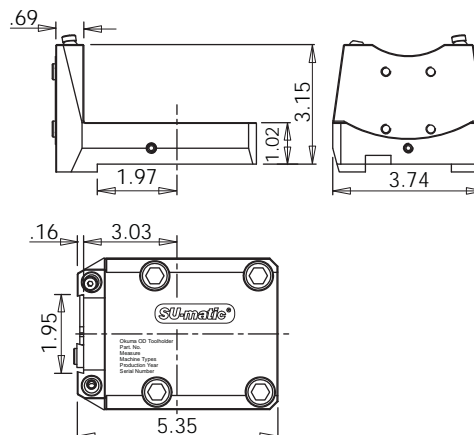
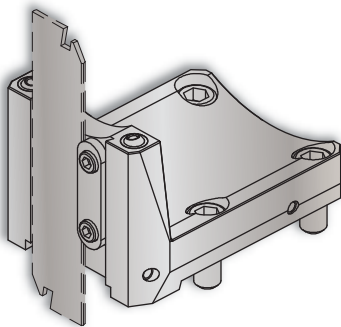
VELOCITY/SU-matic tooling for OKUMA is manufactured on OKUMA machine tools.

VELOCITY has the most complete inventory of tooling for OKUMA machine tools in North America.

Lathe Model	Tool #	Reversible (Main/Sub)	Stick Size	Depth (Top)	Depth (Overall)	Height
LU4000 M	14.910.0.0222.0	Yes	1"	2.80"	5.35"	2.76"

LU4000 M Cut-Off Blade Holder

Notes



3D Models (.stp) and CAS (.stl) files are available for all **VELOCITY/SU-matic** tool holders. Please contact Velocity: sales@velocityproducts.com.

Turret Plugs 14.430.0.0087.0

VELOCITY/SU-matic tooling for OKUMA is manufactured on OKUMA machine tools.

VELOCITY has the most complete inventory of tooling for OKUMA machine tools in North America.

Lathe Model	Tool #	Reversible (Main/Sub)	Blade Size	Depth	Width	Height
LU4000 M	14.910.0.0033.1	Yes	32 mm	5.35"	3.74"	3.15"