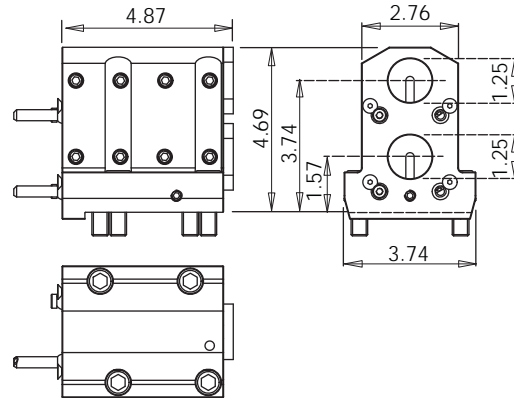
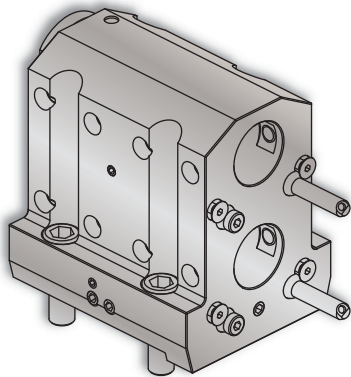


Static Tools



LB3000 Boring Bar Holder • Dual Output

Notes



VELOCITY/SU-matic ID holders can be used with both internal and external coolant.
Internal Coolant Plates are included with all *VELOCITY/SU-matic* multitasking turret ID holders.

Turret Plugs	14.430.0.0086.0
--------------	-----------------

VELOCITY/SU-matic tooling for OKUMA is manufactured on OKUMA machine tools.

Coolant filtration is recommended when using ID holders with internal coolant plates.

Lathe Model	Tool #	Reversible (Main/Sub)	Coolant	ID Top	ID Bottom	Height
LB3000 MY	14.910.0.0316.0	-	IC/EXT	1.25"	1.25"	4.69"

