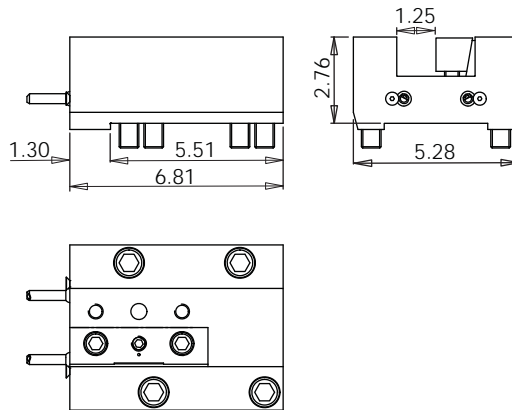
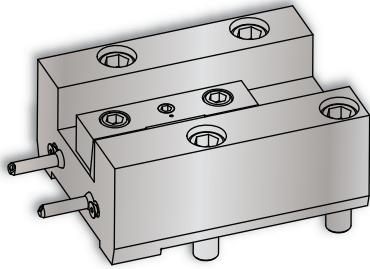


Static Tools



LB45III M-Turret OD-II Holder

Notes



3D Models (.stp) and CAS (.stl) files are available for all **VELOCITY/SU-matic** tool holders. Please contact Velocity: sales@velocityproducts.com.

Turret Plugs	14.430.0.0157.0
--------------	-----------------

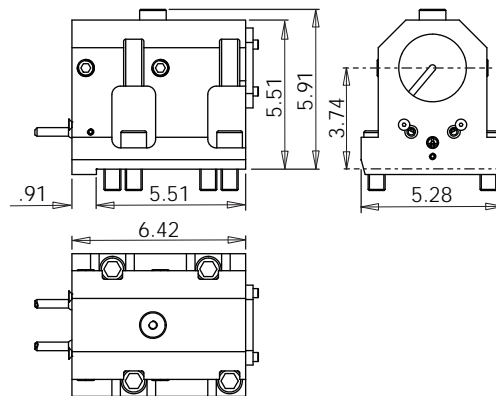
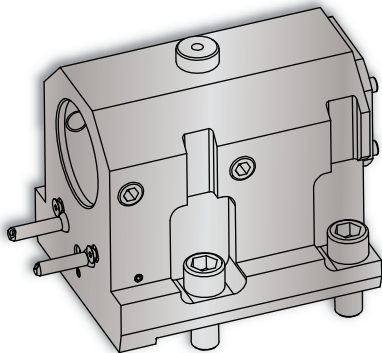
VELOCITY/SU-matic tooling for OKUMA is manufactured on OKUMA machine tools.

VELOCITY has the most complete inventory of tooling for OKUMA machine tools in North America.

Lathe Model	Tool #	Reversible (Main/Sub)	Stick Size	Depth	Height	Width
LB45III M	14.910.0.0348.0	Yes	1.25"	6.81"	2.76"	5.28"

LB45III M-Turret Boring Bar Holder

Notes



VELOCITY/SU-matic ID holders can be used with both internal and external coolant. **Internal Coolant Plates** are included with all **VELOCITY/SU-matic** multitasking turret ID holders.

Turret Plugs	14.430.0.0157.0
--------------	-----------------

VELOCITY/SU-matic tooling for OKUMA is manufactured on OKUMA machine tools.

Coolant filtration is recommended when using ID holders with internal coolant plates.

Lathe Model	Tool #	Reversible (Main/Sub)	Coolant	ID	Height	Depth
LB45III M	14.910.0.0349.0	-	IC/EXT	2.5"	5.91"	6.42"