

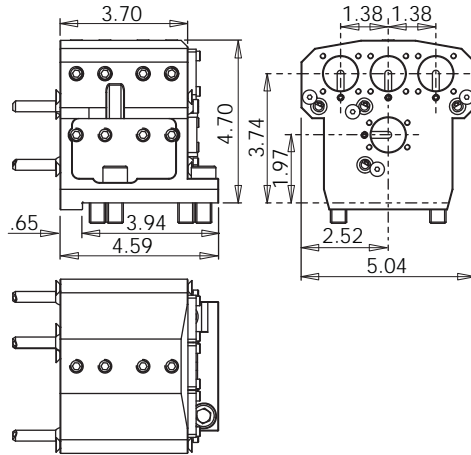
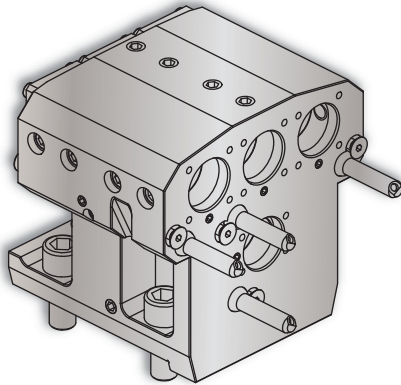
VELOCITY TOOLING FOR OKUMA LU3000 M/MY

Static Tools



LU3000 MY Quad Boring Bar Holder

Notes



VELOCITY/SU-matic ID holders can be used with both internal and external coolant.

Internal Coolant Plates are included with all *VELOCITY/SU-matic* multitasking turret ID holders.

Turret Plugs	14.430.0.0086.0
--------------	-----------------

VELOCITY/SU-matic tooling for OKUMA is manufactured on OKUMA machine tools.

Coolant filtration is recommended when using ID holders with internal coolant plates.

Lathe Model	Tool #	Reversible (Main/Sub)	Coolant	ID	Height	Depth
LU3000 MY	14.910.0.0363.0	No	IC/EXT	1.0" x (4)	4.70"	4.59"

