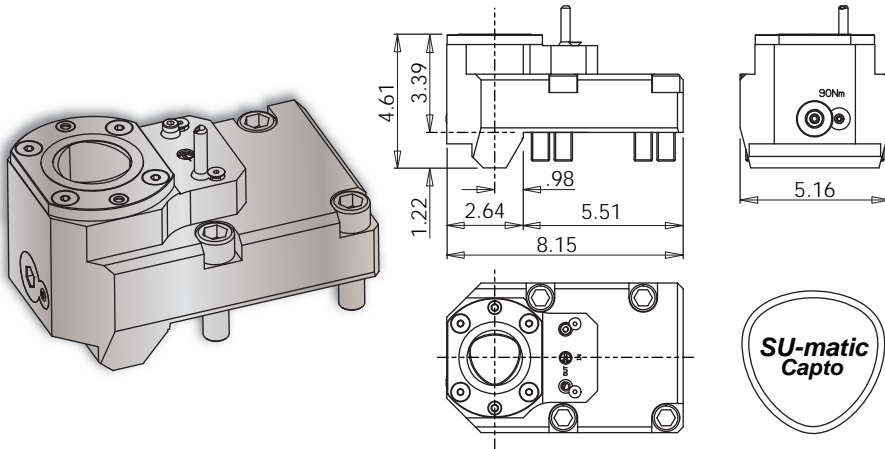


# VELOCITY TOOLING FOR OKUMA LB45III M-Turret

## SU-matic Capto® Tools



### LB45III M-Turret C6 OD-I Holder



### Notes

#### REGO-FIX® C6 Collet Chucks

ER Output	Rego-Fix Part #
ER-20	2806.12020
ER-25	2806.12520
ER-32	2806.13220
ER-40	2806.14020

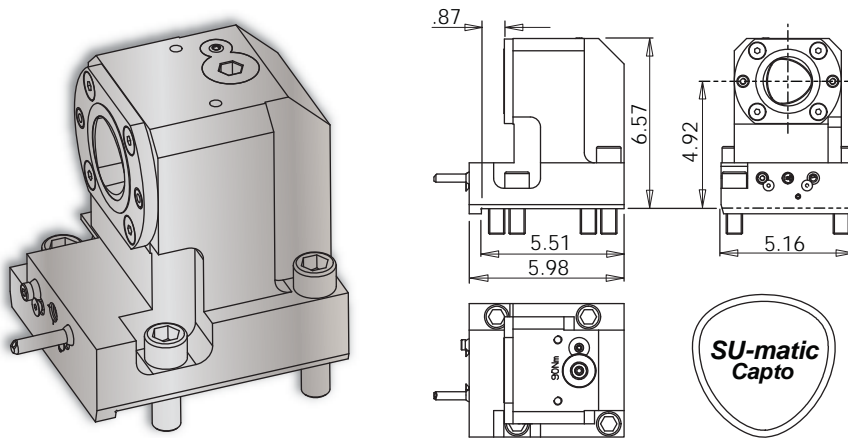
Turret Plugs 14.430.0.0157.0

VELOCITY/SU-matic tooling for OKUMA is manufactured on OKUMA machine tools.

SU-matic Capto® static tools are coolant thru. Coolant filtration is recommended.

Lathe Model	Tool #	Reversible (Main/Sub)	Coolant	Output	Hex Wrench	C6 Collet Chucks
LB45III M	14.910.0.0379.0	No	IC/EXT	C6	12 mm	See Above

### LB45III M-Turret C6 ID Holder



### Notes

#### REGO-FIX® C6 Collet Chucks

ER Output	Rego-Fix Part #
ER-20	2806.12020
ER-25	2806.12520
ER-32	2806.13220
ER-40	2806.14020

Turret Plugs 14.430.0.0157.0

VELOCITY/SU-matic tooling for OKUMA is manufactured on OKUMA machine tools.

SU-matic Capto® static tools are coolant thru. Coolant filtration is recommended.

Lathe Model	Tool #	Reversible (Main/Sub)	Coolant	Output	Hex Wrench	C6 Collet Chucks
LB45III M	14.910.0.0380.0	Yes	IC/EXT	C6	12 mm	See Above