

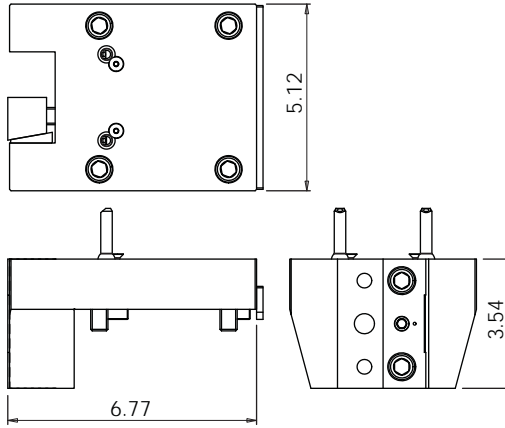
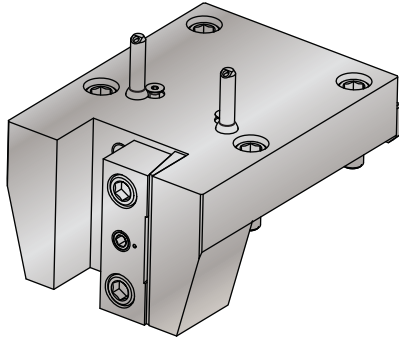
# VELOCITY TOOLING FOR OKUMA V760/V920 • 2SP-V760/V920

## V760/V920 2SP-V760/V920 Tools



### V760 / V920 • 2SP-V760 / 2SP-V920 OD-III Holder

### Notes



3D Models (.stp) and CAS (.stl) files are available for all *VELOCITY/SU-matic* tool holders. Please contact Velocity: [sales@velocityproducts.com](mailto:sales@velocityproducts.com).

V760 Turret Plugs	14.430.0.0194.0
-------------------	-----------------

V920 Turret Plugs	14.430.0.0218.0
-------------------	-----------------

*VELOCITY/SU-matic* tooling for OKUMA is manufactured on OKUMA machine tools.

*VELOCITY* has the most complete inventory of tooling for OKUMA machine tools in North America.

Tool #	Coolant	Stick Size	Mounting Bolt Centers	Mounting Bolts
14.910.0.0396.0	EXT	1.25"	90mm x 100mm	Ships with both M12 and M16 mounting bolts

