

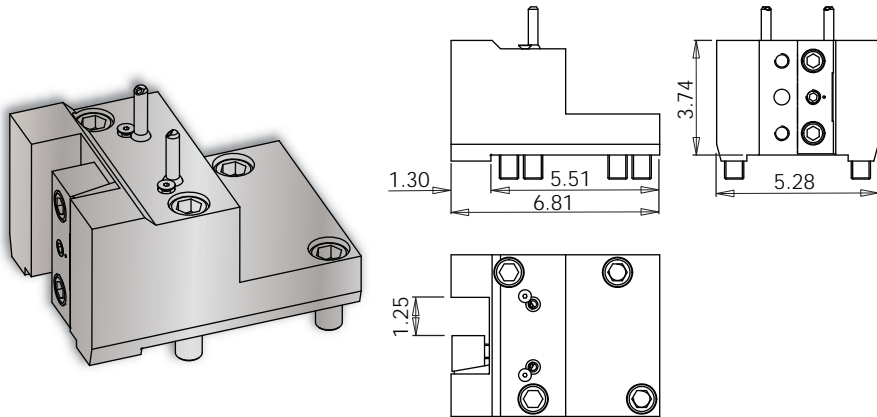
VELOCITY TOOLING FOR OKUMA LB45III M-Turret

Static Tools



LB45III M-Turret OD-I Holder

Notes



3D Models (.stp) and CAS (.stl) files are available for all **VELOCITY/SU-matic** tool holders. Please contact Velocity: sales@velocityproducts.com.

Turret Plugs	14.430.0.01570
--------------	----------------

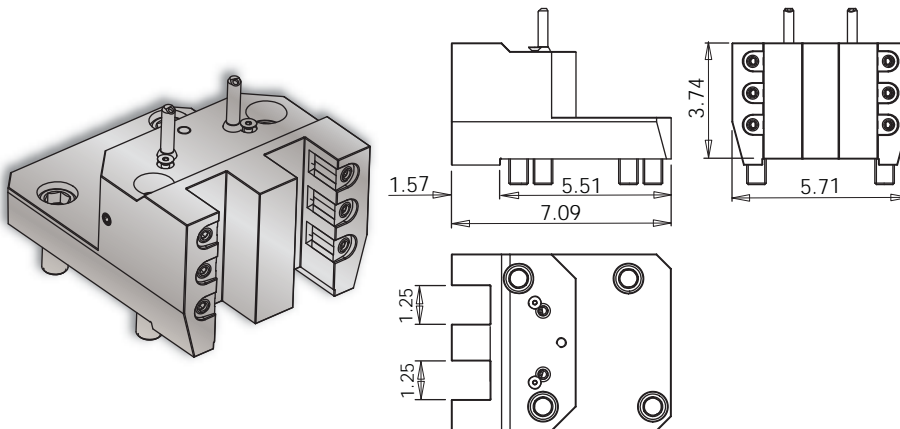
VELOCITY/SU-matic tooling for OKUMA is manufactured on OKUMA machine tools.

VELOCITY has the most complete inventory of tooling for OKUMA machine tools in North America.

Lathe Model	Tool #	Reversible (Main/Sub)	Stick Size	Depth	Height	Width
LB45III M	14.910.0.0347.0	Yes	1.25"	6.81"	3.74"	5.28"

LB45III M-Turret Y-Axis OD-I Holder

Notes



3D Models (.stp) and CAS (.stl) files are available for all **VELOCITY/SU-matic** tool holders. Please contact Velocity: sales@velocityproducts.com.

Turret Plugs	14.430.0.0157.0
--------------	-----------------

VELOCITY/SU-matic tooling for OKUMA is manufactured on OKUMA machine tools.

VELOCITY has the most complete inventory of tooling for OKUMA machine tools in North America.

Lathe Model	Tool #	Reversible (Main/Sub)	Stick Size	Depth	Height	Width
LB45III M	14.910.0.0423.0	Yes	1.25" (2)	7.09"	3.74"	5.71"