

VELOCITY TOOLING FOR OKUMA MULTUS U3000/U4000/U5000

Static Tools



Multus U3000/U4000/U5000 OD-II Extended Face Turning Holder • Main/Sub

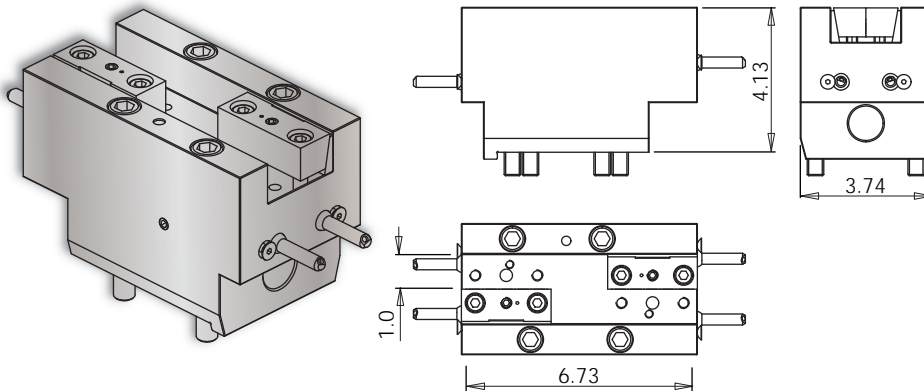
Notes

3D Models (.stp) and CAS (.stl) files are available for all **VELOCITY/SU-matic** tool holders. Please contact Velocity: sales@velocityproducts.com.

| | |
|--------------|-----------------|
| Turret Plugs | 14.430.0.0086.0 |
|--------------|-----------------|

VELOCITY/SU-matic tooling for OKUMA is manufactured on OKUMA machine tools.

VELOCITY has the most complete inventory of tooling for OKUMA machine tools in North America.



| Lathe Model | Tool # | Reversible (Main/Sub) | Stick Size | Depth | Height | Width |
|-------------|-----------------|-----------------------|------------|-------|--------|-------|
| Multus | 14.910.0.0374.0 | No | 1.0" | 6.73" | 4.13" | 3.74" |

Multus U3000/U4000/U5000 OD-II Face Turning Holder

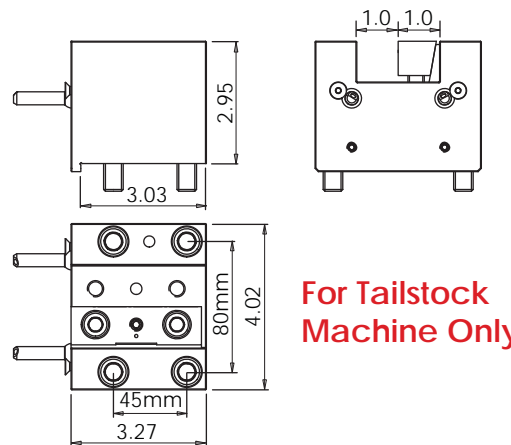
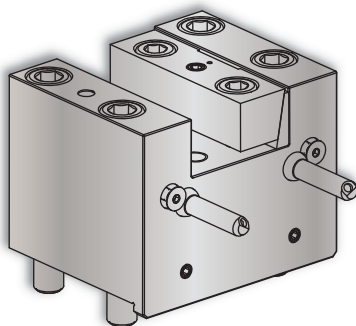
Notes

3D Models (.stp) and CAS (.stl) files are available for all **VELOCITY/SU-matic** tool holders. Please contact Velocity: sales@velocityproducts.com.

| | |
|--------------|----------------|
| Turret Plugs | not applicable |
|--------------|----------------|

VELOCITY/SU-matic tooling for OKUMA is manufactured on OKUMA machine tools.

VELOCITY has the most complete inventory of tooling for OKUMA machine tools in North America.



| Lathe Model | Tool # | Reversible (Main/Sub) | Stick Size | Depth | Height | Width |
|-------------|-----------------|-----------------------|------------|-------|--------|-------|
| Multus | 14.910.0.0428.0 | No | 1.0" | 3.27" | 2.95" | 4.02" |