

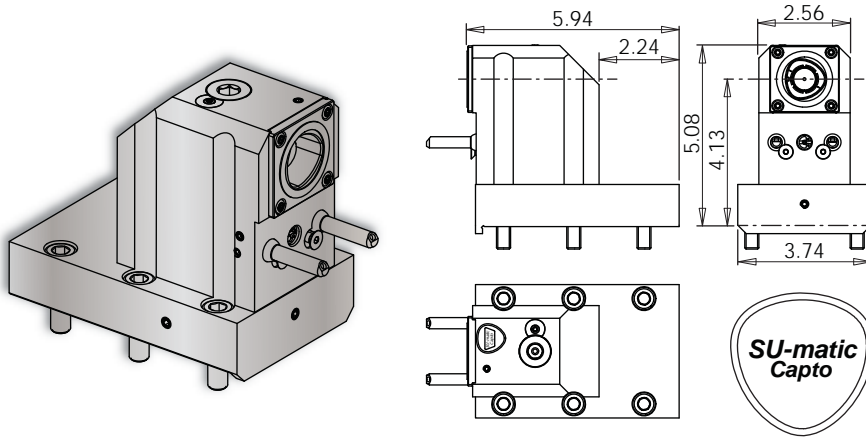
# VELOCITY TOOLING FOR OKUMA 2SP-H/2SP-HM Series

## 2SP-250H/HM Capto®



### 2SP-250H/HM C4 ID Holder

### Notes



### REGO-FIX® C4 Collet Chucks

ER Output	Rego-Fix Part #
ER-16	2804.11630
ER-20	2804.12010
ER-25	2804.12510
ER-32	2804.13210

Turret Plugs **14.430.0.0205.0**

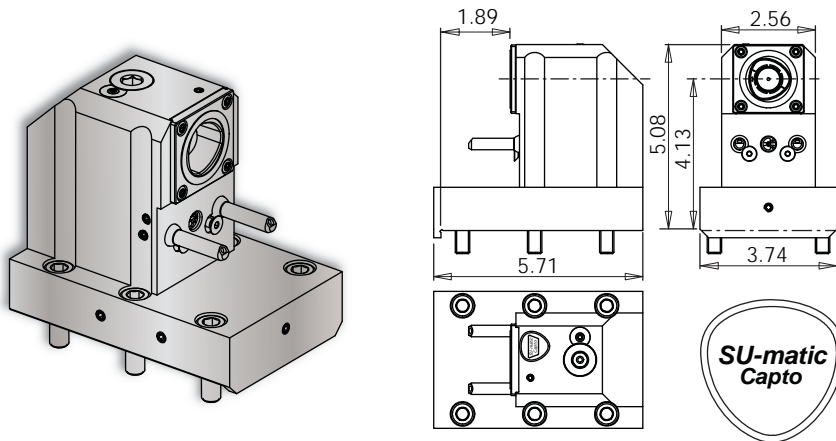
VELOCITY/SU-matic tooling for OKUMA is manufactured on OKUMA machine tools.

SU-matic Capto® static tools are coolant thru. Coolant filtration is recommended.

Tool #	Reversible (Main/Sub)	Coolant	Output	Hex Wrench	C4 Collet Chucks
14.910.0.0461.0	Yes	IC/EXT	C4	10 mm	See Above

### 2SP-250H/HM C4 Offset ID Holder

### Notes



### REGO-FIX® C4 Collet Chucks

ER Output	Rego-Fix Part #
ER-16	2804.11630
ER-20	2804.12010
ER-25	2804.12510
ER-32	2804.13210

Turret Plugs **14.430.0.0205.0**

VELOCITY/SU-matic tooling for OKUMA is manufactured on OKUMA machine tools.

SU-matic Capto® static tools are coolant thru. Coolant filtration is recommended.

Tool #	Reversible (Main/Sub)	Coolant	Output	Hex Wrench	C4 Collet Chucks
14.910.0.0462.0	No	IC/EXT	C4	10 mm	See Above