

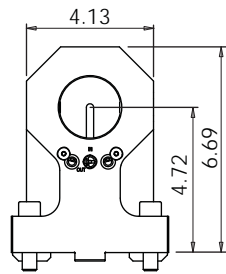
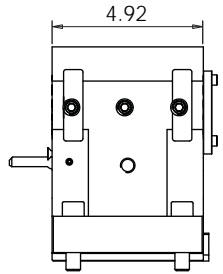
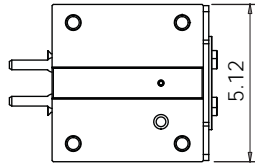
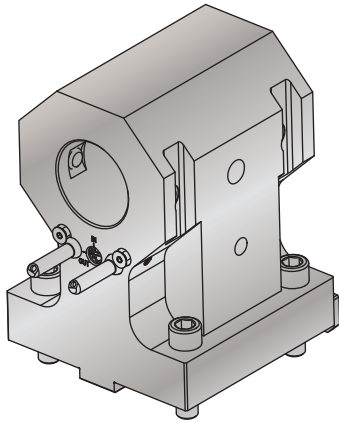
VELOCITY TOOLING FOR OKUMA V760/V920 • 2SP-V760/V920

V760/V920 2SP-V760/V920 Tools



V760 / V920 • 2SP-V760 / 2SP-V920 2.0" Boring Bar Holder

Notes



VELOCITY/SU-matic ID holders can be used with both internal and external coolant.
Internal Coolant Plates are included with all *VELOCITY/SU-matic* multitasking turret ID holders.

V760 Turret Plugs	14.430.0.0194.0
-------------------	-----------------

V920 Turret Plugs	14.430.0.0218.0
-------------------	-----------------

VELOCITY/SU-matic tooling for OKUMA is manufactured on OKUMA machine tools.

Coolant filtration is recommended when using ID holders with internal coolant plates.

Tool #

Coolant

ID

Mounting Bolt Centers

Mounting Bolts

14.910.0.0393.0

IC/EXT

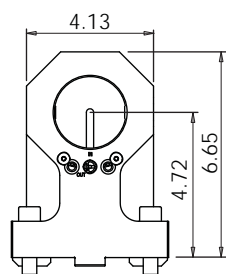
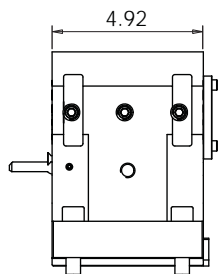
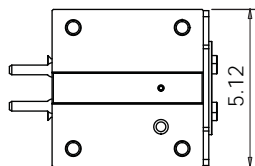
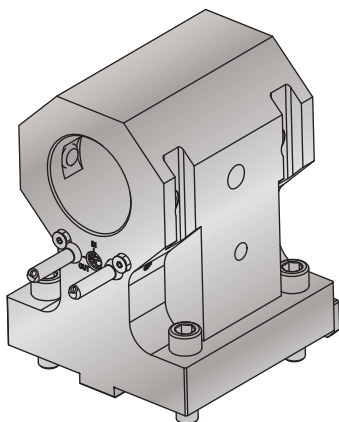
2.0"

90mm x 100mm

Ships with both M12 and M16 mounting bolts

V760 / V920 • 2SP-V760 / 2SP-V920 2.5" Boring Bar Holder

Notes



VELOCITY/SU-matic ID holders can be used with both internal and external coolant.
Internal Coolant Plates are included with all *VELOCITY/SU-matic* multitasking turret ID holders.

V760 Turret Plugs	14.430.0.0194.0
-------------------	-----------------

V920 Turret Plugs	14.430.0.0218.0
-------------------	-----------------

VELOCITY/SU-matic tooling for OKUMA is manufactured on OKUMA machine tools.

Coolant filtration is recommended when using ID holders with internal coolant plates.

Tool #

Coolant

ID

Mounting Bolt Centers

Mounting Bolts

14.910.0.0467.1

IC/EXT

2.5"

90mm x 100mm

Ships with both M12 and M16 mounting bolts