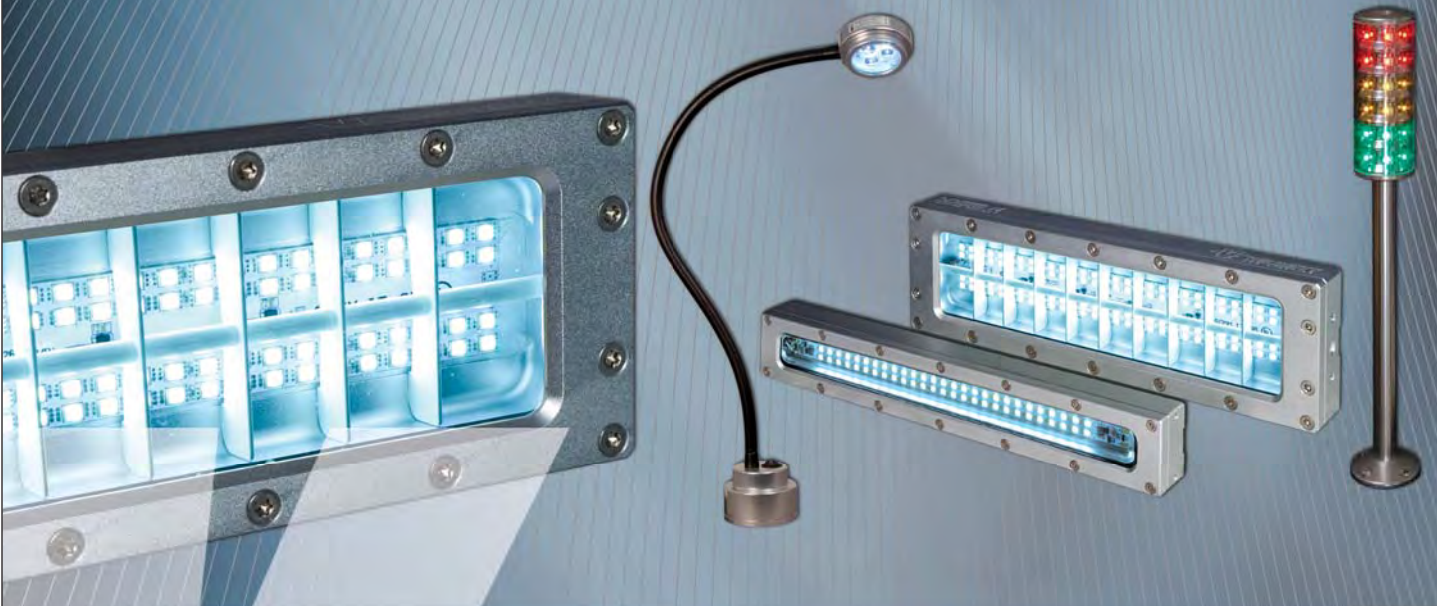


December 2019

# **VELOCITY** **LED LIGHTING**

*INNOVATION : PERFORMANCE*

*[www.velocityproducts.com](http://www.velocityproducts.com)*



*Ultra-Bright  
LED Lighting  
Engineered for  
Machine Tools*

### Velocity Ultra-Bright LED Lighting

Velocity ultra-bright LED lighting products are designed and manufactured **specifically for use in a machine tool environment**. Velocity ROMA lighting features extended life LED's, completely impervious assemblies sealed to IP68, and tempered glass lenses. Velocity ROMA series enclosures are machined from solid aluminum and feature powerful Neodymium rare earth magnets for quick and secure mounting.

## Contents

ROMA FEATURES • SPECIFICATIONS	2
ROMA LED 9	3
ROMA LED 18	4
FLEX 80 INSPECTION LAMP	5
STACK LED	5

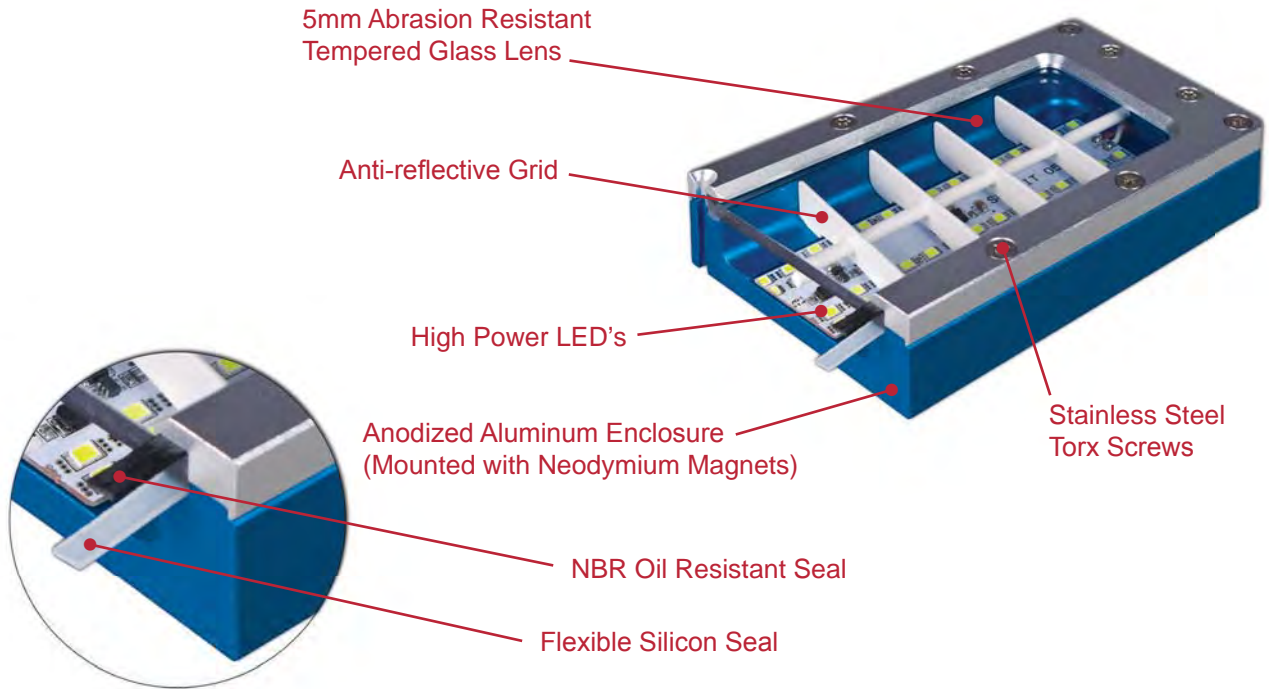




# FEATURES • SPECIFICATIONS

**VELOCITY**  
LED LIGHTING

## ROMA LED FEATURES



## ROMA LED SPECIFICATIONS



- Two year warranty.
- Fastened with rare earth neodymium magnets for quick and secure mounting.
- Mounting brackets also available.
- Protection: Class III / IP68 / IK07.
- IP 69 UL listed FLEXA cable (9').
- UL listed circuit board.
- 24 VDC - powered via standard machine tool power source.
- External transformer included for use with 110/220 VAC power source.



# ROMA LED LIGHTING



## ROMA LED 9

## FEATURES

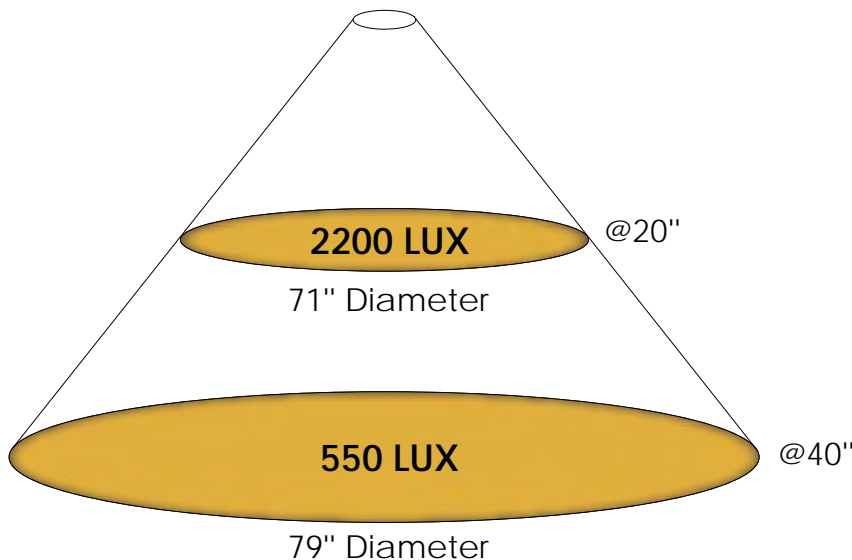


- Two year warranty.
- Fastened with neodymium magnets for quick and secure mounting.
- Mounting brackets also available.
- Protection: Class III / IP68 / IK07.
- Extended life LED's.
- Anodized housing machined from solid aluminum.
- Tempered glass lens.
- High strength 9' cable.

Part Number	Number of LED's	Dimensions (L x W x D - inches)	Mounting Method	Lumens	Power Required	Amps @ 24 V	External Transformer (included)		Cable Length
							Amps @ 120 V	Amps @ 240 V	
L09MAG24V	54	10.63" x 1.57 x 1.25"	Neodymium Magnets*	1,700	24 Volts DC**	0.6	.13	.075	9'

## ROMA LED 9 LIGHT INTENSITY

## INSTALLATION



- The 24 VDC ROMA LED requires no transformer - use a 24 VDC power source from the machine tool.
- If a 110/220 VAC power source is required, an external 110/220 VAC transformer is included.
- To switch the 110/220 VAC ROMA LED from the machine tool control, wire the ROMA LED in parallel with the existing 110/220 VAC machine light.

\*Mounting brackets also available. \*\*110/220 VAC transformer included.



# ROMA LED LIGHTING

**VELOCITY**  
LED LIGHTING

## ROMA LED 18

## FEATURES

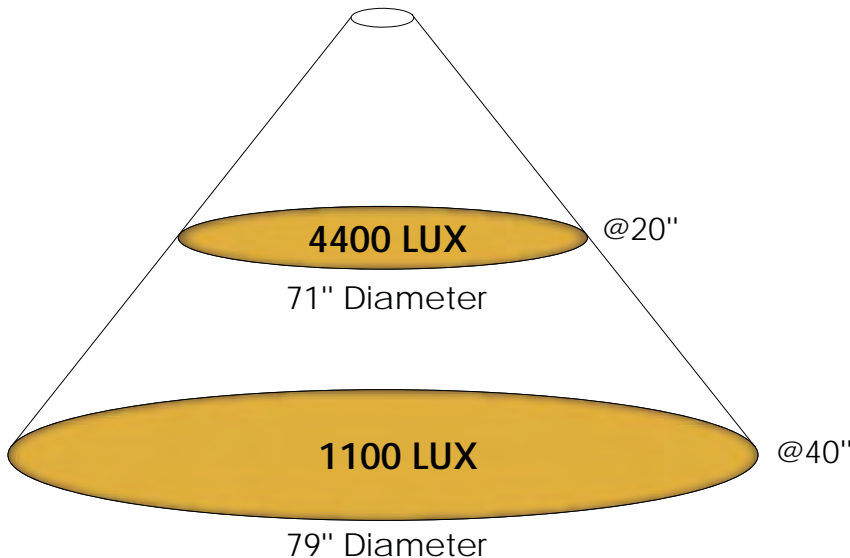


- Two year warranty.
- Fastened with neodymium magnets for quick and secure mounting.
- Mounting brackets also available.
- Protection: Class III / IP68 / IK07.
- Extended life LED's.
- Anodized housing machined from solid aluminum.
- Tempered glass lens.
- High strength 9' cable.

Part Number	Number of LED's	Dimensions (L x W x D - inches)	Mounting Method	Lumens	Power Required	Amps @ 24 V	External Transformer (included)		Cable Length
							Amps @ 120 V	Amps @ 240 V	
L18MAG24V	120	10.63" x 3.13" x 1.25"	Neodymium Magnets*	3,600	24 Volts DC**	1.1	.32	.185	9'

## ROMA LED 18 LIGHT INTENSITY

## INSTALLATION



- The 24 VDC ROMA LED requires no transformer - use a 24 VDC power source from the machine tool.
- If a 110/220 VAC power source is required, an external 110/220 VAC transformer is included.
- To switch the 110/220 VAC ROMA LED from the machine tool control, wire the ROMA LED in parallel with the existing 110/220 VAC machine light.

\*Mounting brackets also available. \*\*110/220 VAC transformer included.





**FLEX EYE LED • STACK LED**

**VELOCITY**  
LED LIGHTING

**FLEX 80 INSPECTION LAMP**

**FEATURES**



- Extended life LED's.
- Anodized aluminum enclosure.
- Magnetic base.
- 20" flexible arm.
- Sealed to IP64.
- Internal power transformer.
- Light beam: 25°.

Part Number	Number of LED's	Dimensions	Mounting Method	LUX @ 20" 25° Lens	Power Required	Transformer	Power Consumption	Cord Length (inches)
SOMFX80	7	3.14" Base x 20" arm	Neodymium magnetic base	9400 20" Ø beam	120 Volts AC	Internal	8.4 Watts	72"

**STACK LED**

**FEATURES**



- Extended life LED's.
- Light modules available: red, green, yellow, white.
- More than one color can be on simultaneously with multiple module configurations.
- Stainless steel screws.

Part Number	Number of LED's	Number of Modules	Color (s) Available	Mounting Method	Power Required	Switching Signal	Power Consumption	Cable Termination
STACK 1	Two rows of (6) LED's per module	1	R / G / Y / W	Bolt	24 Volts DC	24 Volts DC	12 Watts	Snap On Terminals
STACK 2		2						
STACK 3		3						
STACK 4		4						



# **VELOCITY**

**LED LIGHTING**

*INNOVATION : PERFORMANCE*

*www.velocityproducts.com*



*Ultra-Bright  
LED Lighting  
Engineered for  
Machine Tools*

*Velocity Products • 350 Electronics Blvd, Huntsville, AL 35824 • 256-258-5549*

*www.velocityproducts.com • sales@velocityproducts.com*

*© Velocity Products • Specifications subject to change without notice • Velocity Lighting 06.2019*